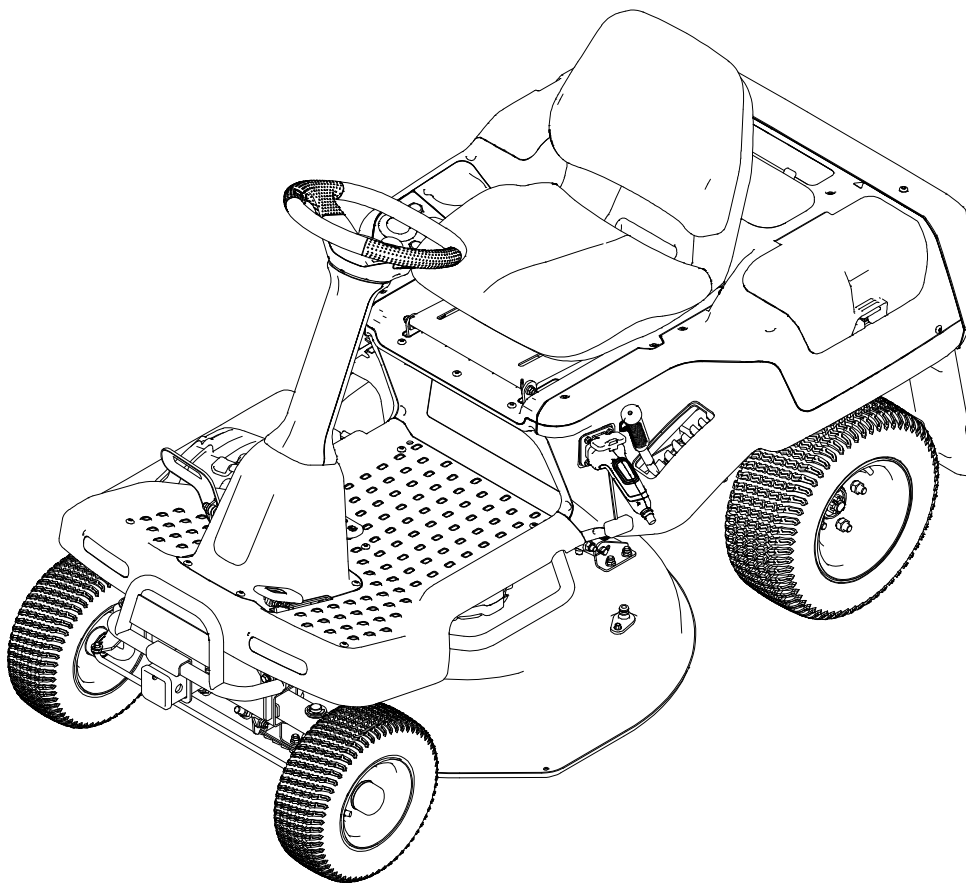



# greenworks<sup>®</sup>

## CrossoverT Tractor CRT306 / CRT308 (TYPE1)



Parts Manual with torque specifications  
**TOLL-FREE HELPLINE: 1-855-345-3934**  
[www.greenworkstools.com](http://www.greenworkstools.com)

---

 Read all safety rules and instructions carefully before operating this tool.

# CONTENTS

## LABELS

|                             |    |
|-----------------------------|----|
| LABELS-WARNING/SAFETY ..... | 15 |
| LABELS-BRAND/MODEL .....    | 16 |
| LABELS-FUNCTION .....       | 17 |

## BODY AND STRUCTURES SYSTEM

|                                   |    |
|-----------------------------------|----|
| FRAME ASSEMBLY .....              | 21 |
| GUARDS AND PROTECTIVE PARTS ..... | 28 |

## ELECTRICAL SYSTEM

|                                 |    |
|---------------------------------|----|
| BATTERY AND CHARGER PARTS.....  | 31 |
| CONTROLLERS AND BOX PARTS ..... | 32 |
| WIRE HARNESS .....              | 33 |
| SWITCHES & METER PARTS .....    | 35 |
| LIGHTS PARTS .....              | 39 |

## DECK SYSTEM

|                                  |    |
|----------------------------------|----|
| DECK, MOTORS, BLADES PARTS ..... | 41 |
| DECK COMPONENTS .....            | 42 |
| DISCHARGE CHUTE ASSEMBLY .....   | 43 |
| DECKLIFT ASSEMBLY.....           | 45 |

## DRIVE SYSTEM

|  |    |
|--|----|
| WHEELS ASSEMBLY.....                     | 51 |
| DRIVE MOTOR AND TRANSMISSION PARTS ..... | 55 |

## OPERATOR SYSTEM

|                               |    |
|-------------------------------|----|
| SEAT AND MOUNT PARTS.....     | 61 |
| STEERING ASSEMBLY.....        | 66 |
| STEERING WHEEL ASSEMBLY ..... | 67 |
| PEDALS ASSEMBLY.....          | 68 |

**NOTE:** ILLUSTRATIONS MAY OR MAY NOT REPRESENT THE ACTUAL ASSEMBLIES AND IT IS NOT RECOMMENDED TO USE THIS MANUAL AS A GUIDE TO ASSEMBLE OR DISASSEMBLE THE MOWER.

# LABELS-WARNING/SAFETY

**CAUTION:** To reduce the risk of injury or electric shock. Do not remove Cover. No user serviceable parts inside. Referservicing to Qualified service personnel. Do not stare at the operation lamp. Do not open or remove safety shields while cutting blade is running. Do not operate this machine unless you are trained. This device complies with Part 15 of the FCC Rules. Operation is subject to the following two conditions: (1) This device may not cause harmful interference, and (2) This device must accept any interference received, including interference that may cause undesired operation.

**ATTENTION:** Pour réduire le risque de blessure ou de choc électrique, ne pas retirer le couvercle. Aucune pièce réparable par l'utilisateur ne se trouve à l'intérieur. Confiez l'appareil à Un personnel qualifié pour toute réparation. Ne pas regarder directement la lampe pendant le fonctionnement. Ne pas ouvrir ni retirer les écrans de sécurité lorsque la lame de coupe est en fonctionnement. Ne pas utiliser cette machine sans avoir reçu une formation. Cet artifice se plie à la Partie 15 des Règles de FCC. L'opération est soumise aux deux conditions suivantes: (1) Cet artifice peut ne pas provoquer l'interférence malfaisante, et (2) Cet artifice doit accepter n'importe quelle interférence reçue, en incluant l'interférence qui peut provoquer l'opération indésirable.

**PRECAUCION:** Para reducir el riesgo de lesión o electrocución, no retire la cubierta. No hay piezas en el interior que el usuario pueda reparar. Consulte a un personal calificado para realizar la reparación. No mire hacia la lámpara cuando está en funcionamiento. No abra ni retire los protectores de seguridad mientras la cuchilla de corte está en funcionamiento. No opere esta máquina a menos que esté capacitado. Este dispositivo cumple con la Parte 15 de las Reglas de FCC. La operación es sujeta a las dos condiciones siguientes:

(1) Este dispositivo puede no causar la interferencia dañosa, y  
 (2) Este dispositivo debe aceptar cualquier interferencia recibida, incluso la interferencia que puede causar la operación indeseada.

**WARNING:** Cancer and Reproductive Harm – www.P65Warnings.ca.gov.

**AVERTISSEMENT:** Cancer et troubles de la reproduction – www.P65Warnings.ca.gov.

**ADVERTENCIA:** Cáncer y Daño Reproductivo –www.P65Warnings.ca.gov.

15-01



15-02



15-03

**WARNING / AVERTISSEMENT / ADVERTENCIA**

To reduce risk of injury, do not operate mower unless the guard or recommended attachment is in its proper place.  
 Afin de réduire le risque de blessures, ne faites fonctionner la tondeuse que si le protégé-lame ou le dispositif de protection recommandé sont en place.  
 Para reducir el riesgo de lesiones, no haga funcionar la podadora a menos que la cubierta u otro dispositivo recomendado esté en su sitio.

15-04



15-05

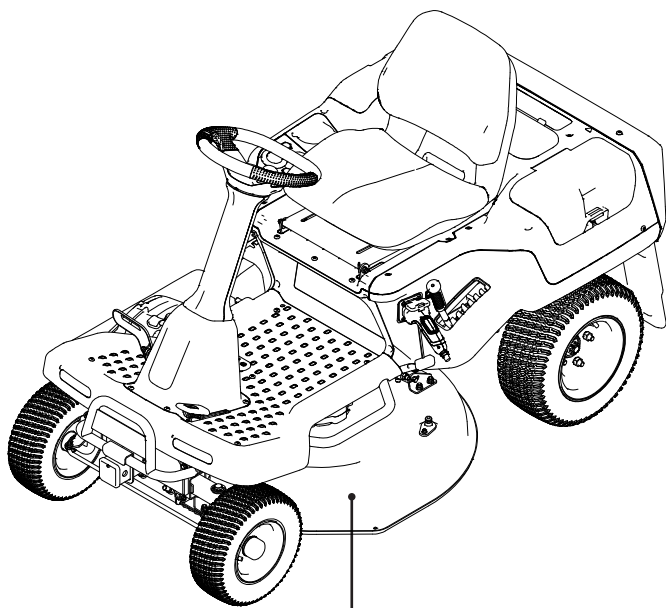
**WARNING:** Please clear the grass clippings before working!

**AVERTISSEMENT:** Veuillez enlever l'herbe coupée avant de faire fonctionner la machine!

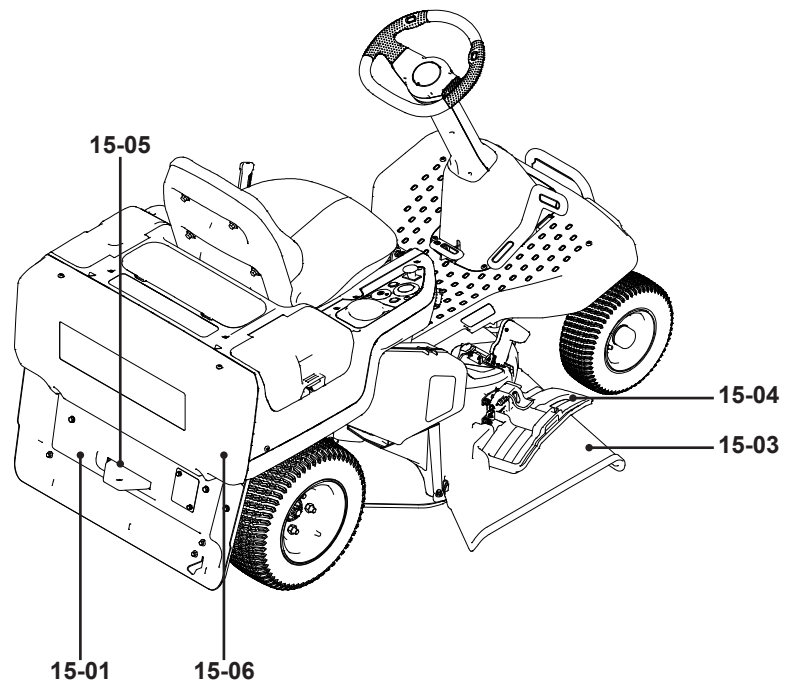
**ADVERTENCIA:** Quite los recortes de césped antes de usar!

15-06

| ITEM NO. | PART NO.    | DESCRIPTION                  | QTY |
|----------|-------------|------------------------------|-----|
| 15-01    | R0209567-00 | Warning Label, Vehicle       | 1   |
| 15-02    | R0202922-00 | Warning Label, No Standing   | 1   |
| 15-03    | R0208469-00 | Warning Label, Keep H/F Away | 1   |
| 15-04    | R0209254-00 | Warning Label, Operation     | 1   |
| 15-05    | R0208466-00 | Warning Label, 300lbs/138kg  | 1   |
| 15-06    | R0209590-00 | Warning Label, Working       | 1   |



15-02



15-01

15-06



# LABELS-BRAND/MODEL



16-01



16-02



16-03



16-04 R0208644-00



16-04 R0209477-00



16-05

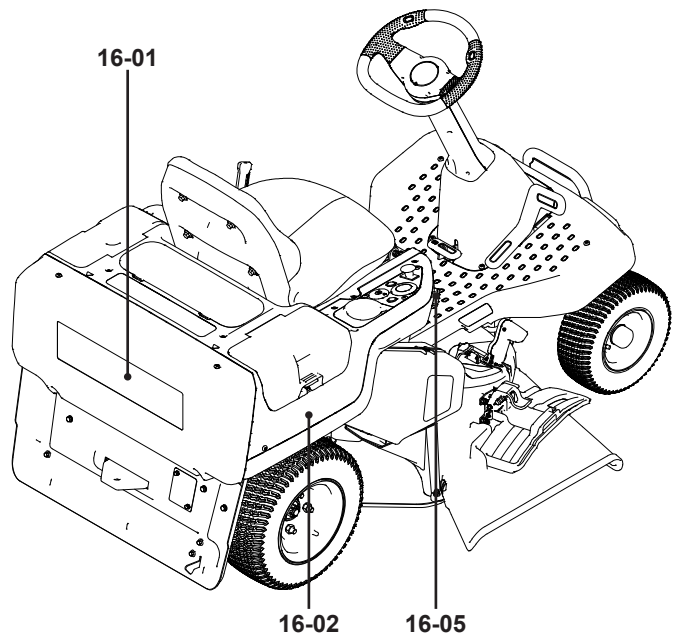
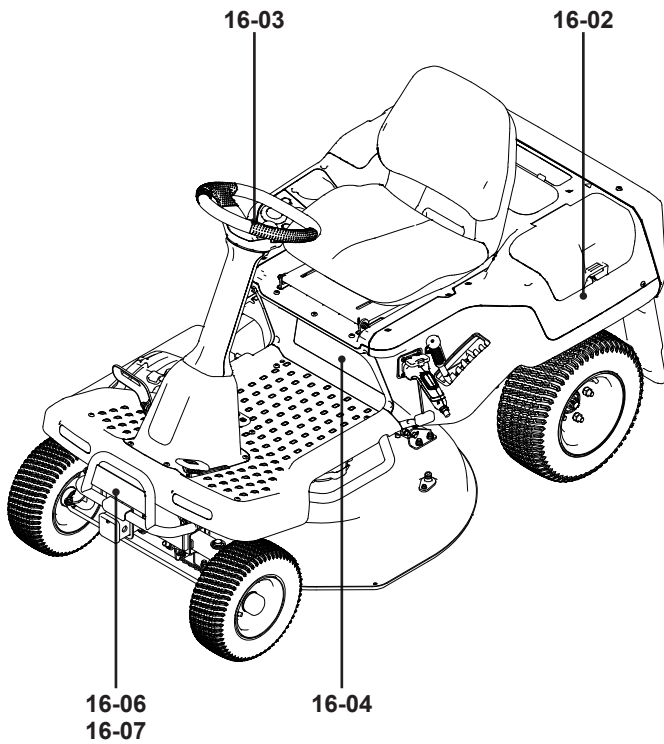


16-06



16-07

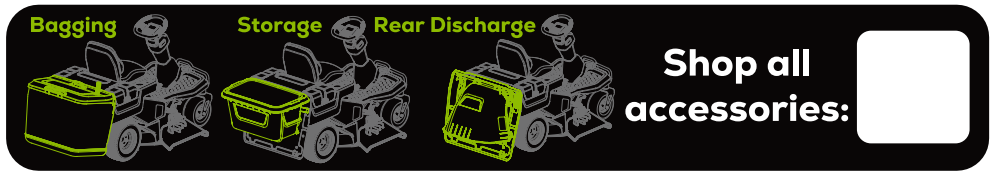
| ITEM NO. | PART NO.    | DESCRIPTION                      | QTY |
|----------|-------------|----------------------------------|-----|
| 16-01    | R0208626-00 | Label, Greenworks, 451.3×115.9   | 1   |
| 16-02    | R0208627-00 | Label, Greenworks, 330.2×115.9   | 2   |
| 16-03    | R0208645-00 | Label, Greenworks, 71.5×71.3     | 1   |
| 16-04    | R0208644-00 | Data Label, Model CRT306         | 1   |
|          | R0209477-00 | Data Label, Model CRT308 (TYPE1) | 1   |
| 16-05    | R0208686-00 | Label, CRT30                     | 1   |
| 16-06    | R0209591-00 | Label, CRT306                    | 1   |
| 16-07    | R0209633-00 | Label, CRT308                    | 1   |



# LABELS-FUNCTION



17-01



17-02



17-03



17-04



17-05



17-06



17-07 R0208636-00



17-07 R0208994-00

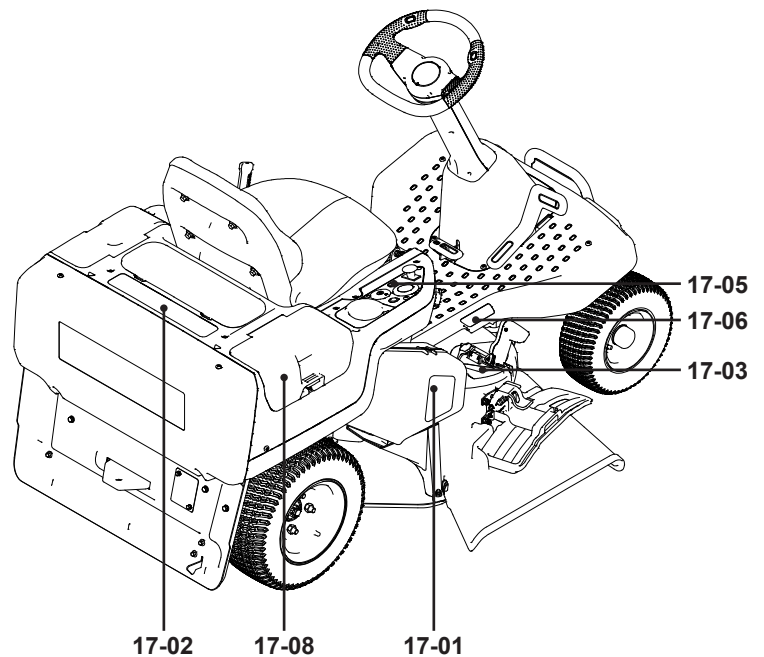
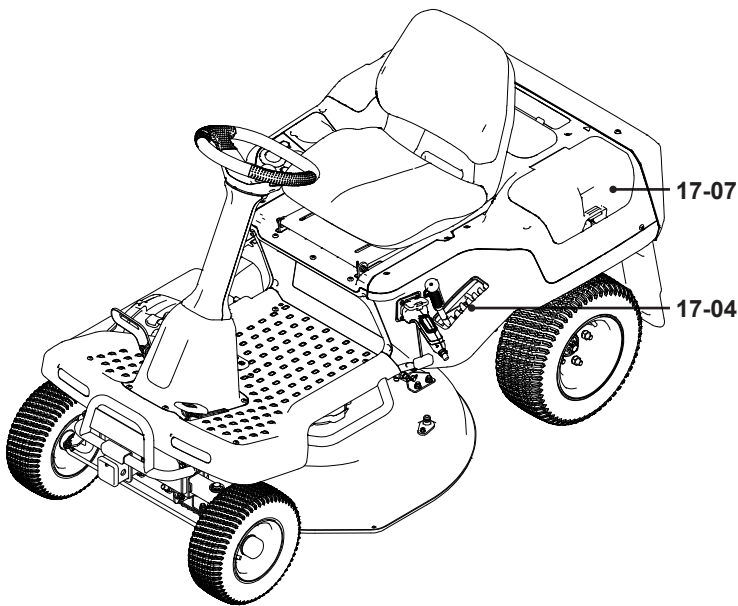


17-08 R0208637-00

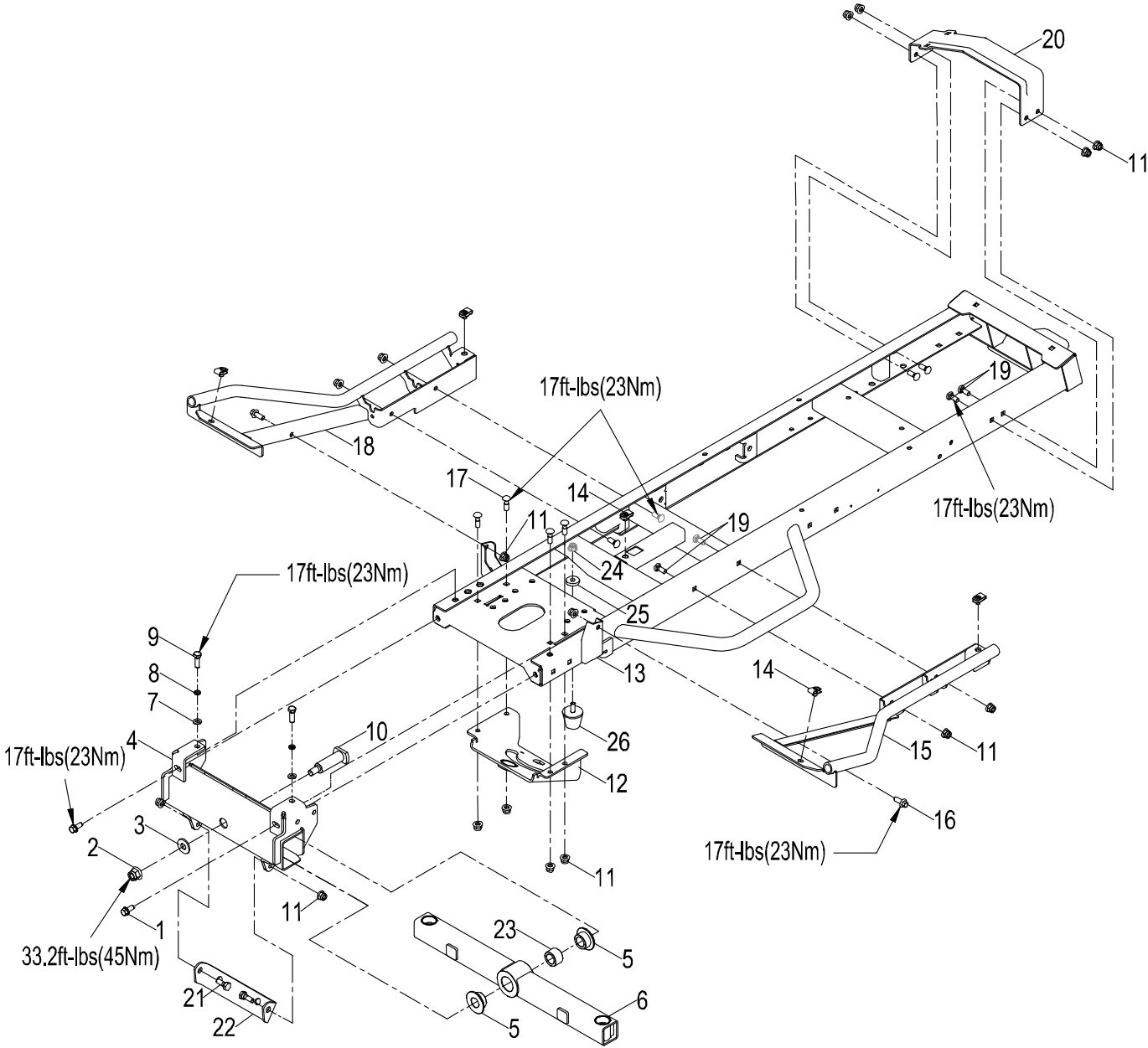


17-08 R0208995-00

| ITEM NO. | PART NO.    | DESCRIPTION                     | QTY |
|----------|-------------|---------------------------------|-----|
| 17-01    | R0208632-00 | Label, Right-hand Pipe          | 1   |
| 17-02    | R0208634-00 | Label, Accessories              | 1   |
| 17-03    | R0209589-00 | Label, Exit Straw Board         | 1   |
| 17-04    | R0208628-00 | Label, Deck Height              | 1   |
| 17-05    | R0208471-00 | Label, Key                      | 1   |
| 17-06    | R0208633-00 | Label, Mulch ↔ Bag              | 1   |
| 17-07    | R0208636-00 | Label, 60V, Left Battery Cover  | 1   |
|          | R0208994-00 | Label, 80V, Left Battery Cover  | 1   |
| 17-08    | R0208637-00 | Label, 60V, Right Battery Cover | 1   |
|          | R0208995-00 | Label, 80V, Right Battery Cover | 1   |



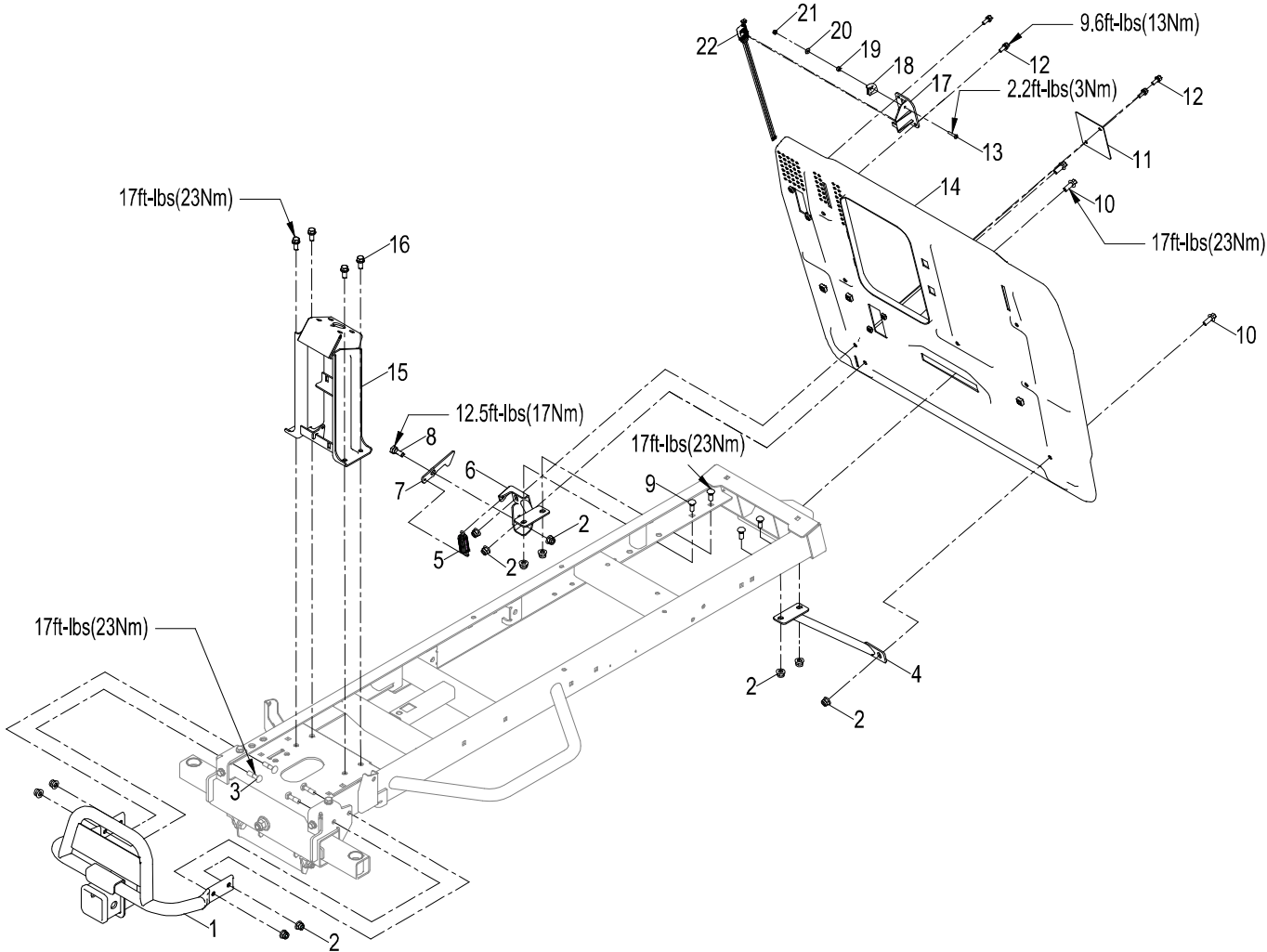
# FRAME ASSEMBLY



| ITEM NO. | PART NO.    | DESCRIPTION                   | QTY |
|----------|-------------|-------------------------------|-----|
| 21-01    | R0200534-00 | Bolt, Hex With Washers M8×20  | 2   |
| 21-02    | R0202690-00 | Nut, M12                      | 1   |
| 21-03    | R0202045-00 | Spacer Washer                 | 1   |
| 21-04    | R0208831-00 | Front Beam Weldment           | 1   |
| 21-05    | R0103052-00 | Copper Bush                   | 2   |
| 21-06    | R0208832-00 | Front Axle Weldment           | 1   |
| 21-07    | R0200548-00 | Plain Washers, Φ8             | 2   |
| 21-08    | R0200540-00 | Washer, Φ8.1                  | 2   |
| 21-09    | R0200396-00 | Bolt, M8×25                   | 2   |
| 21-10    | R0208834-00 | Rotating Shaft                | 1   |
| 21-11    | R0200496-00 | Locking Flange Nut, M8        | 16  |
| 21-12    | R0208825-00 | Connecting Plate Weldment     | 1   |
| 21-13    | R0208904-00 | Main Frame Weldment ■         | 1   |
| 21-14    | R0201314-00 | Nut, Clip-On M6               | 5   |
| 21-15    | R0208872-00 | Support Plate Assembly, Left  | 1   |
| 21-16    | R0203853-00 | Bolt, Flange M8×20            | 2   |
| 21-17    | R0200527-00 | Carriage Bolt, M8×25          | 4   |
| 21-18    | R0208873-00 | Support Plate Assembly, Right | 1   |
| 21-19    | R0200526-00 | Cup Head Bolts-Grade B, M8×20 | 8   |
| 21-20    | R0208874-00 | Bracket, Battery              | 1   |
| 21-21    | R0208887-00 | Bolt, Hex M8×23.5             | 2   |
| 21-22    | R0208900-00 | Connecting Plate              | 1   |
| 21-23    | R0208833-00 | Spacer                        | 1   |
| 21-24    | R0200558-00 | Locking Flange Nut, M8        | 1   |
| 21-25    | R0203158-00 | Washer                        | 1   |
| 21-26    | R0200710-00 | Rubber Bumper                 | 1   |

■ Not serviced

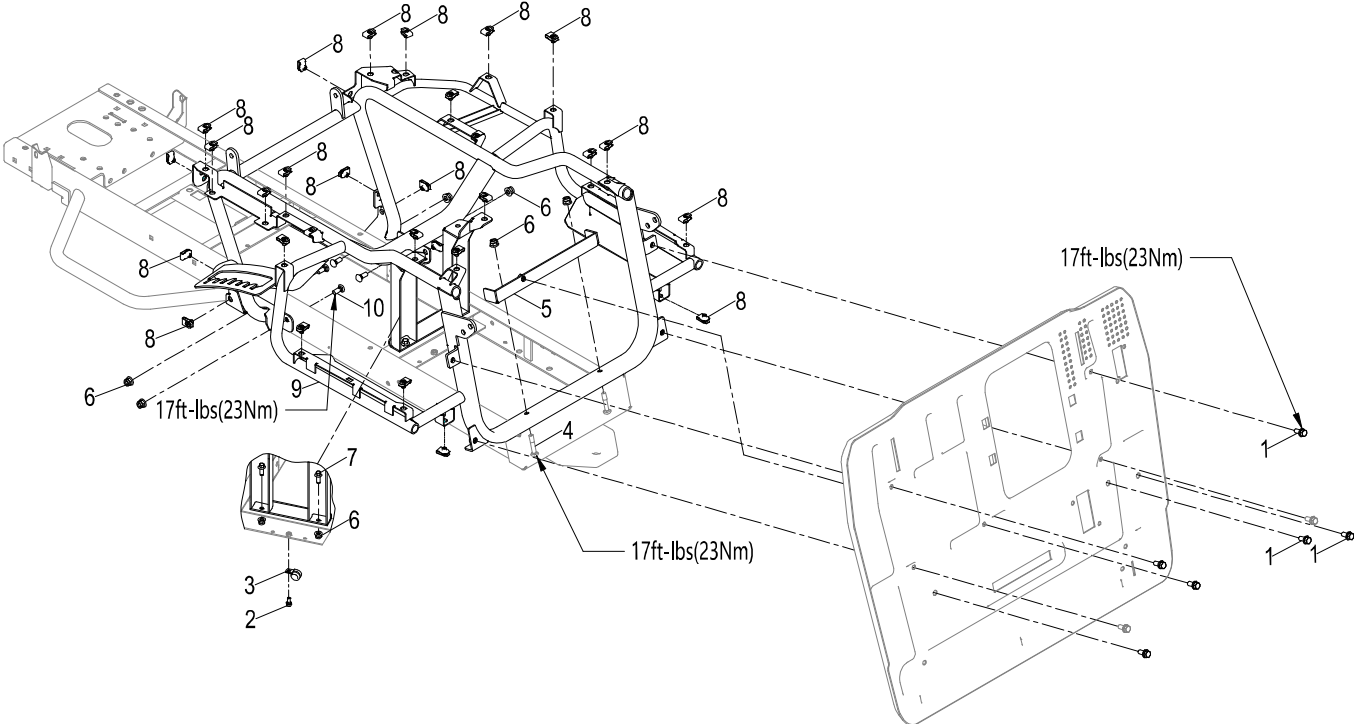
# FRAME ASSEMBLY



| ITEM NO. | PART NO.    | DESCRIPTION                   | QTY |
|----------|-------------|-------------------------------|-----|
| 21-01    | R0208875-00 | Bumper                        | 1   |
| 21-02    | R0200496-00 | Locking Flange Nut, M8        | 12  |
| 21-03    | R0209009-00 | Cup Head Bolts-Grade B, M8×30 | 4   |
| 21-04    | R0208884-00 | Support Plate, Left           | 1   |
| 21-05    | R0208869-00 | Extension Spring              | 1   |
| 21-06    | R0208885-00 | Support Plate, Right          | 1   |
| 21-07    | R0208886-00 | Hook                          | 1   |
| 21-08    | R0208887-00 | Bolt, Hex M8×23.5             | 1   |
| 21-09    | R0200526-00 | Cup Head Bolts-Grade B, M8×20 | 4   |
| 21-10    | R0203853-00 | Bolt, Flange M8×20            | 3   |
| 21-11    | R0208901-00 | Retaining Plate               | 1   |
| 21-12    | R0200532-00 | Bolt, Hex With Washers M6×16  | 4   |
| 21-13    | R0201545-00 | Screw, Torx T20 ST4×20        | 1   |
| 21-14    | R0208902-00 | Fixed Plate Weldment          | 1   |
| 21-15    | R0208830-00 | Fixed Bracket                 | 1   |
| 21-16    | R0200534-00 | Bolt, Hex With Washers M8×20  | 4   |
| 21-17    | R0208896-00 | Support Plate                 | 1   |
| 21-18    | R0208897-00 | Rotating Shaft                | 1   |
| 21-19    | R0208898-00 | Shaft Sleeve                  | 1   |
| 21-20    | R0208899-00 | Washer, Φ12                   | 1   |
| 21-21    | R0209010-00 | Hexagon Nut, M4               | 1   |
| 21-22    | R0208712-00 | Switch, Grass Device          | 1   |

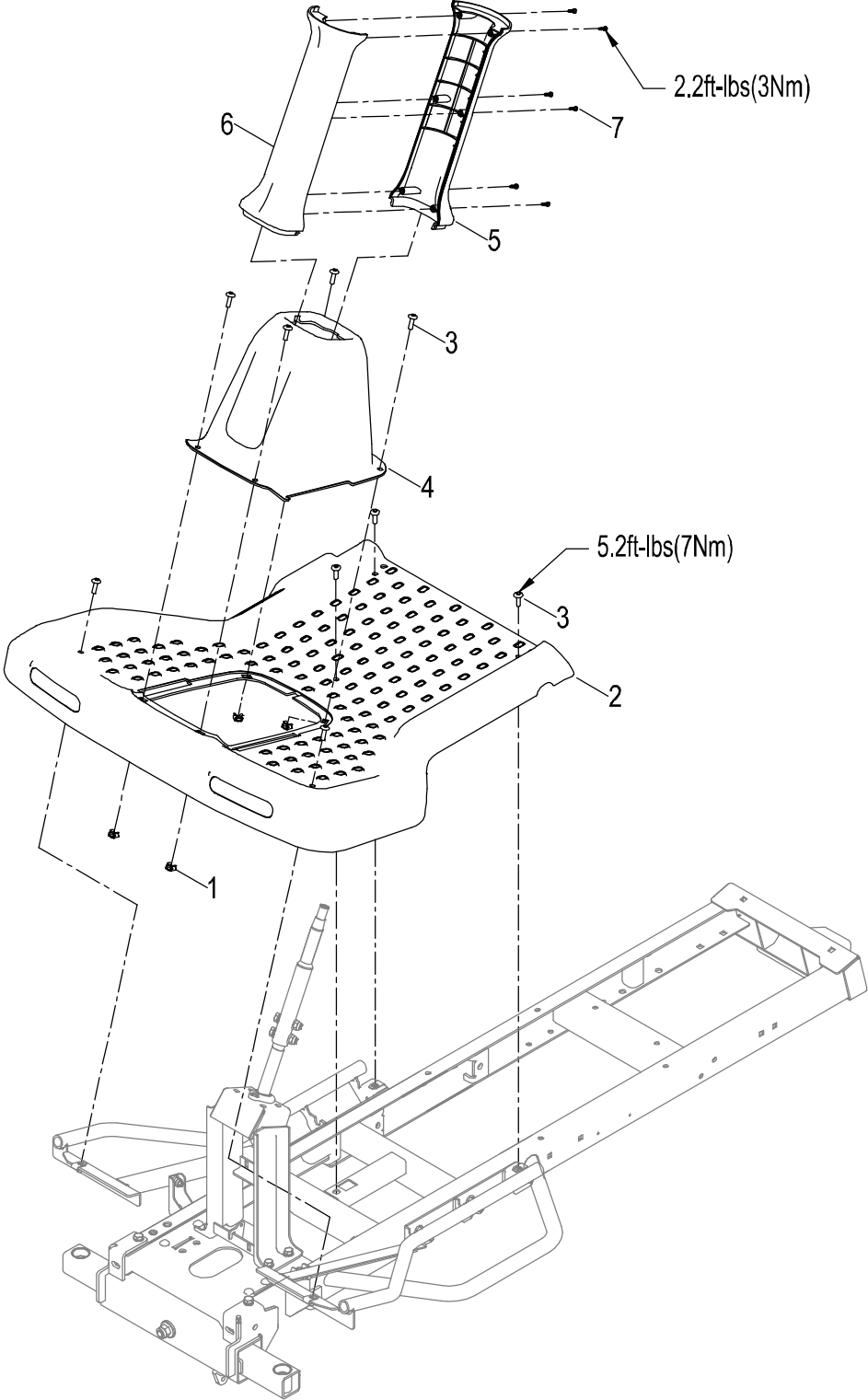


# FRAME ASSEMBLY



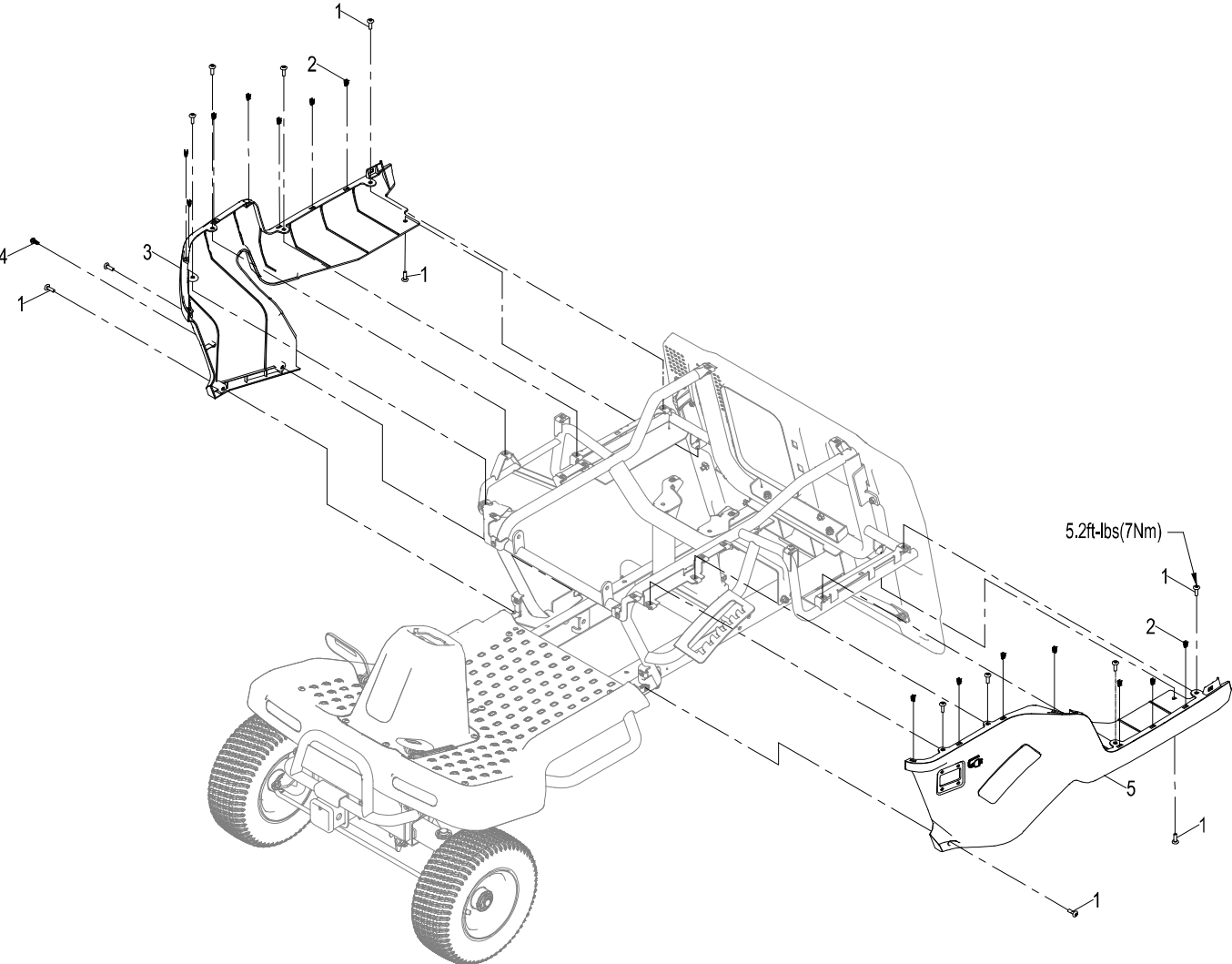
| ITEM NO. | PART NO.    | DESCRIPTION                   | QTY |
|----------|-------------|-------------------------------|-----|
| 21-01    | R0200534-00 | Bolt, Hex With Washers M8×20  | 6   |
| 21-02    | R0200532-00 | Bolt, Hex With Washers M6×16  | 1   |
| 21-03    | R0205449-00 | Wire Clamp                    | 1   |
| 21-04    | R0206828-00 | Cup Head Bolts-Grade B, M8×38 | 2   |
| 21-05    | R0208883-00 | Bracket, Upper                | 1   |
| 21-06    | R0200496-00 | Locking Flange Nut, M8        | 8   |
| 21-07    | R0203853-00 | Bolt, Flange M8×20            | 2   |
| 21-08    | R0201314-00 | Nut, Clip-On M6               | 29  |
| 21-09    | R0208907-00 | Support Plate Weldment        | 1   |
| 21-10    | R0200526-00 | Cup Head Bolts-Grade B, M8×20 | 4   |

# GUARDS AND PROTECTIVE PARTS



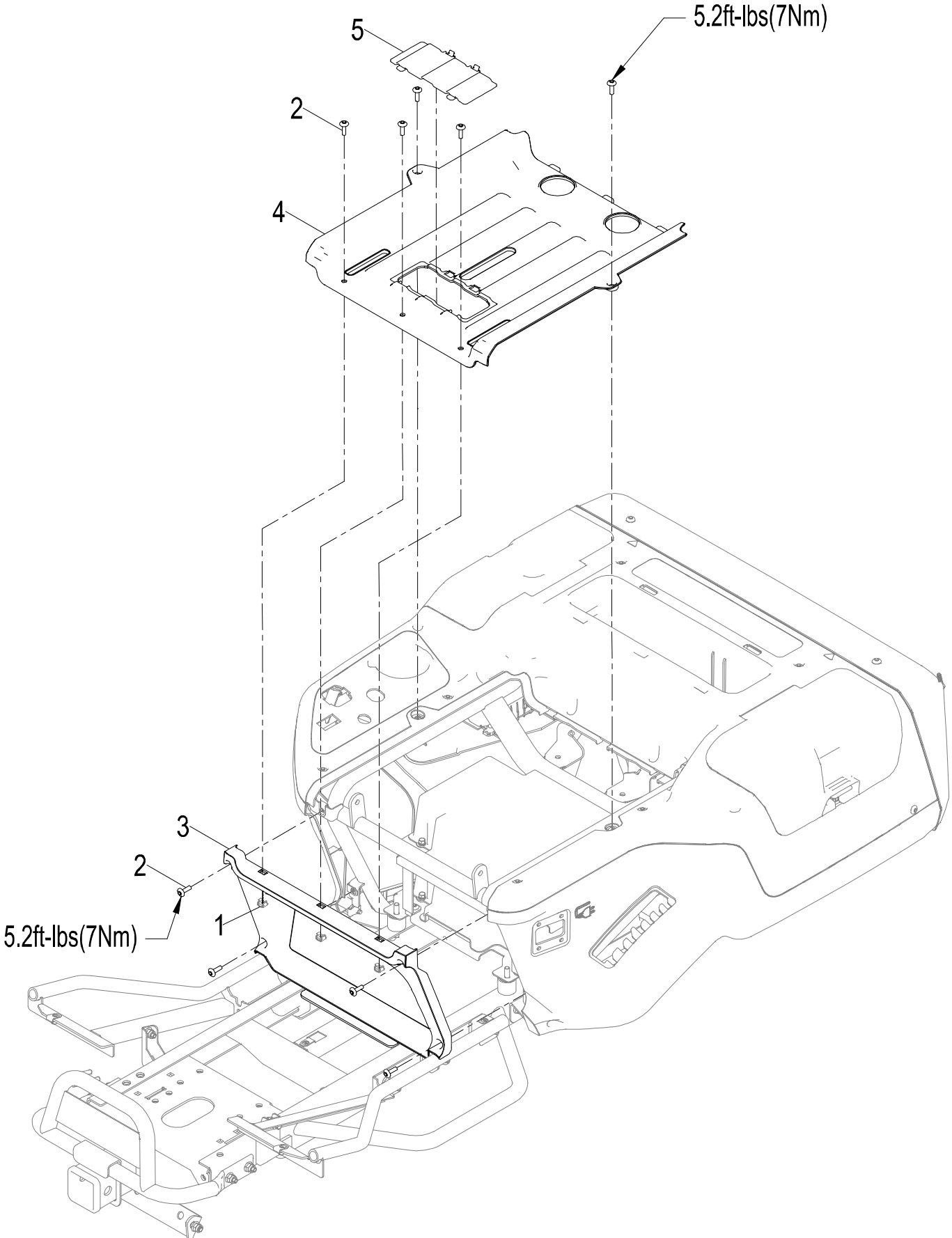
| ITEM NO. | PART NO.    | DESCRIPTION            | QTY |
|----------|-------------|------------------------|-----|
| 28-01    | R0208212-00 | Nut, Clip-On M6        | 4   |
| 28-02    | R0208848-00 | Foot Pedal             | 1   |
| 28-03    | R0201376-00 | Screw, Torx T30 M6×20  | 9   |
| 28-04    | R0208845-00 | Coverplate, Steering   | 1   |
| 28-05    | R0208857-00 | Rear Cover, Steering   | 1   |
| 28-06    | R0208849-00 | Front Cover, Steering  | 1   |
| 28-07    | R0203426-00 | Screw, Torx T20 ST4×16 | 6   |

# GUARDS AND PROTECTIVE PARTS



| ITEM NO. | PART NO.    | DESCRIPTION                    | QTY |
|----------|-------------|--------------------------------|-----|
| 28-01    | R0201376-00 | Screw, Torx T30 M6×20          | 13  |
| 28-02    | R0202010-00 | Trim Clip                      | 14  |
| 28-03    | R0208850-00 | Right Guard                    | 1   |
| 28-04    | R0205332-00 | Screw With Washers, T30 ST6×20 | 1   |
| 28-05    | R0208851-00 | Left Guard                     | 1   |

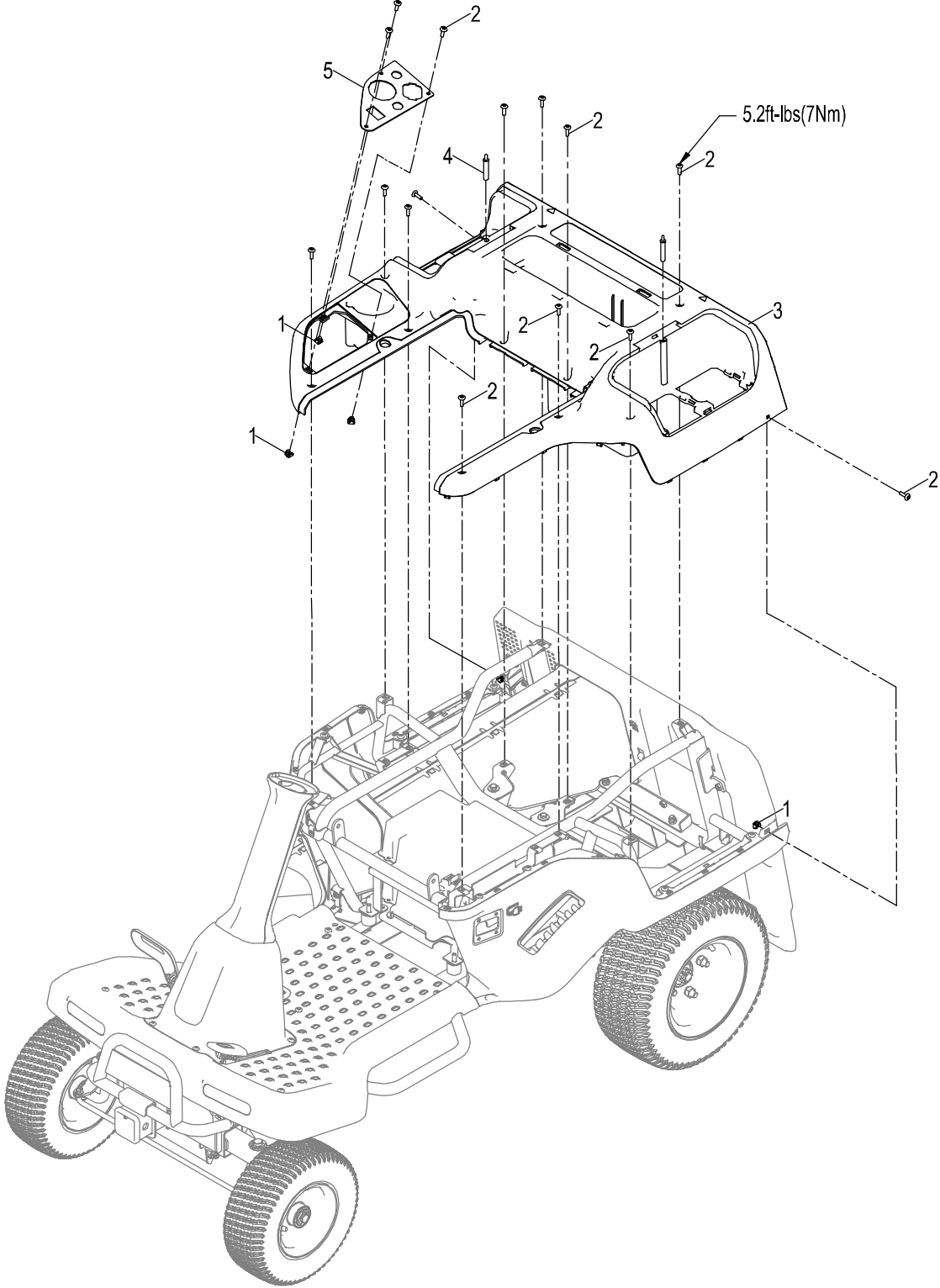
# GUARDS AND PROTECTIVE PARTS



| ITEM NO. | PART NO.    | DESCRIPTION           | QTY |
|----------|-------------|-----------------------|-----|
| 28-01    | R0208212-00 | Nut, Clip-On M6       | 3   |
| 28-02    | R0201376-00 | Screw, Torx T30 M6×20 | 9   |
| 28-03    | R0208856-00 | Front Cover           | 1   |
| 28-04    | R0208847-00 | Middle Coverplate     | 1   |
| 28-05    | R0208841-00 | Cover, Debugging      | 1   |

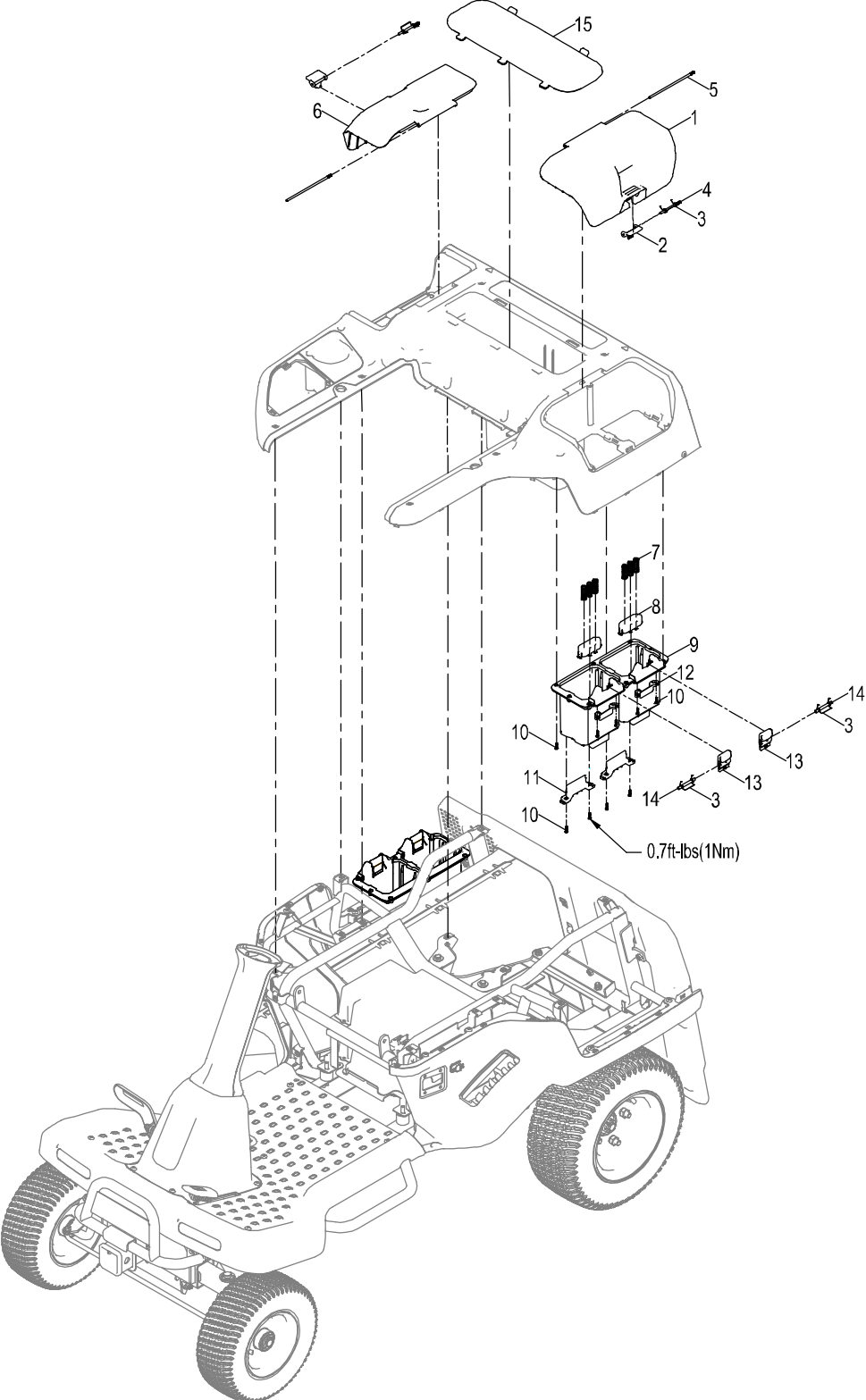


# GUARDS AND PROTECTIVE PARTS



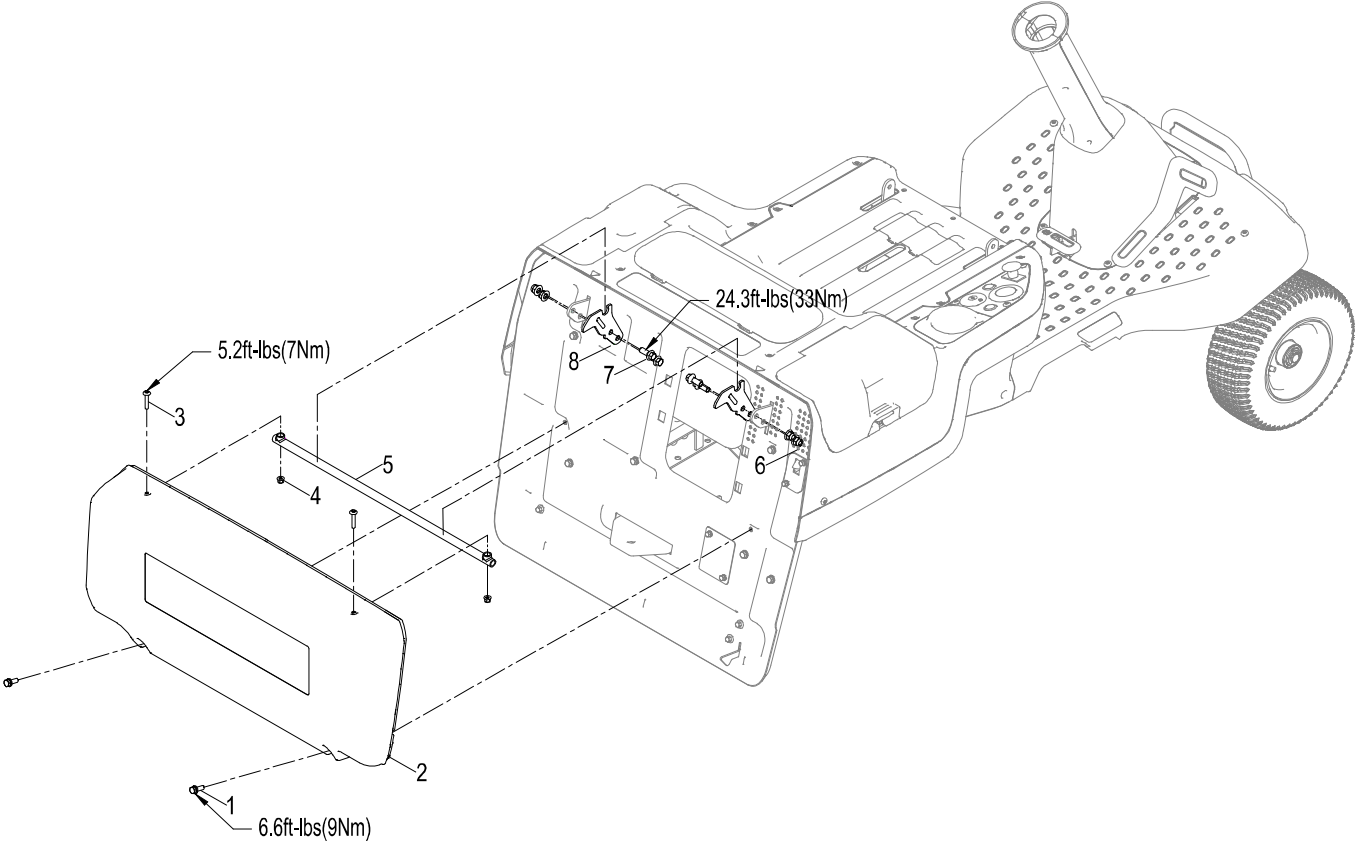
| <b>ITEM NO.</b> | <b>PART NO.</b> | <b>DESCRIPTION</b>    | <b>QTY</b> |
|-----------------|-----------------|-----------------------|------------|
| 28-01           | R0208212-00     | Nut, Clip-On M6       | 5          |
| 28-02           | R0201376-00     | Screw, Torx T30 M6×20 | 15         |
| 28-03           | R0208854-00     | Decorative Cover      | 1          |
| 28-04           | R0207202-00     | Damper                | 2          |
| 28-05           | R0208858-00     | Switch Panel          | 1          |

# GUARDS AND PROTECTIVE PARTS



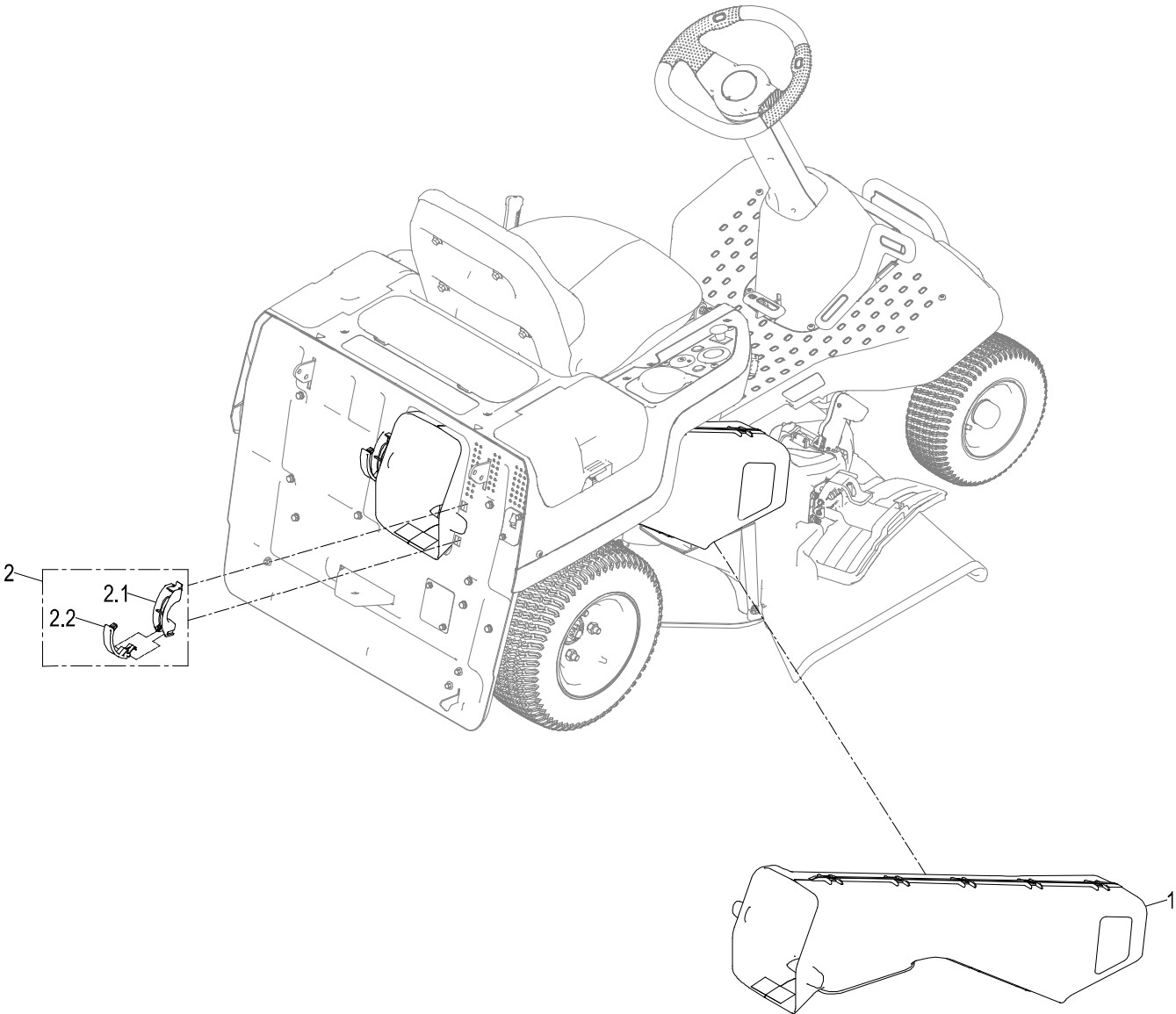
| ITEM NO. | PART NO.    | DESCRIPTION                            | QTY |
|----------|-------------|--|-----|
| 28-01    | R0209011-00 | Battery Pack Cover, Left               | 1   |
| 28-02    | R0208839-00 | Trigger                                | 2   |
| 28-03    | R0202672-00 | Torsional Spring                       | 6   |
| 28-04    | R0208846-00 | Rotating Shaft, Trigger                | 2   |
| 28-05    | R0208422-00 | Rotating Shaft, Battery Pack Cover     | 2   |
| 28-06    | R0208853-00 | Battery Pack Cover, Right              | 1   |
| 28-07    | R0202671-00 | Reset Spring                           | 12  |
| 28-08    | R0203287-00 | Spring Base                            | 4   |
| 28-09    | R0208842-00 | Battery Pack Assembly, 60V             | 2   |
|          | R0209498-00 | Battery Pack Assembly, 80V/82V         | 2   |
| 28-10    | R0203426-00 | Screw, Torx T20 ST4×16                 | 32  |
| 28-11    | R0208840-00 | Retaining Plate, Battery Pack Assembly | 4   |
| 28-12    | R0206560-00 | Plate, Release Button                  | 4   |
| 28-13    | R0203174-00 | Battery Release Button                 | 4   |
| 28-14    | R0202657-00 | Axial                                  | 4   |
| 28-15    | R0208844-00 | Battery Pack Cover, Rear               | 1   |

# GUARDS AND PROTECTIVE PARTS



| ITEM NO. | PART NO.    | DESCRIPTION                  | QTY |
|----------|-------------|------------------------------|-----|
| 28-01    | R0209012-00 | Bolt, Hex With Washers M8×25 | 2   |
| 28-02    | R0208852-00 | Rear Guard                   | 1   |
| 28-03    | R0208908-00 | Pan Head Screws, M6×35       | 2   |
| 28-04    | R0201379-00 | Locking Flange Nut, M6       | 2   |
| 28-05    | R0208890-00 | Upper Bracket Weldment       | 1   |
| 28-06    | R0209013-00 | Locking Flange Nut, M10      | 4   |
| 28-07    | R0200501-00 | Bolt, Flange M10×25          | 4   |
| 28-08    | R0208906-00 | Articulated Plate            | 2   |

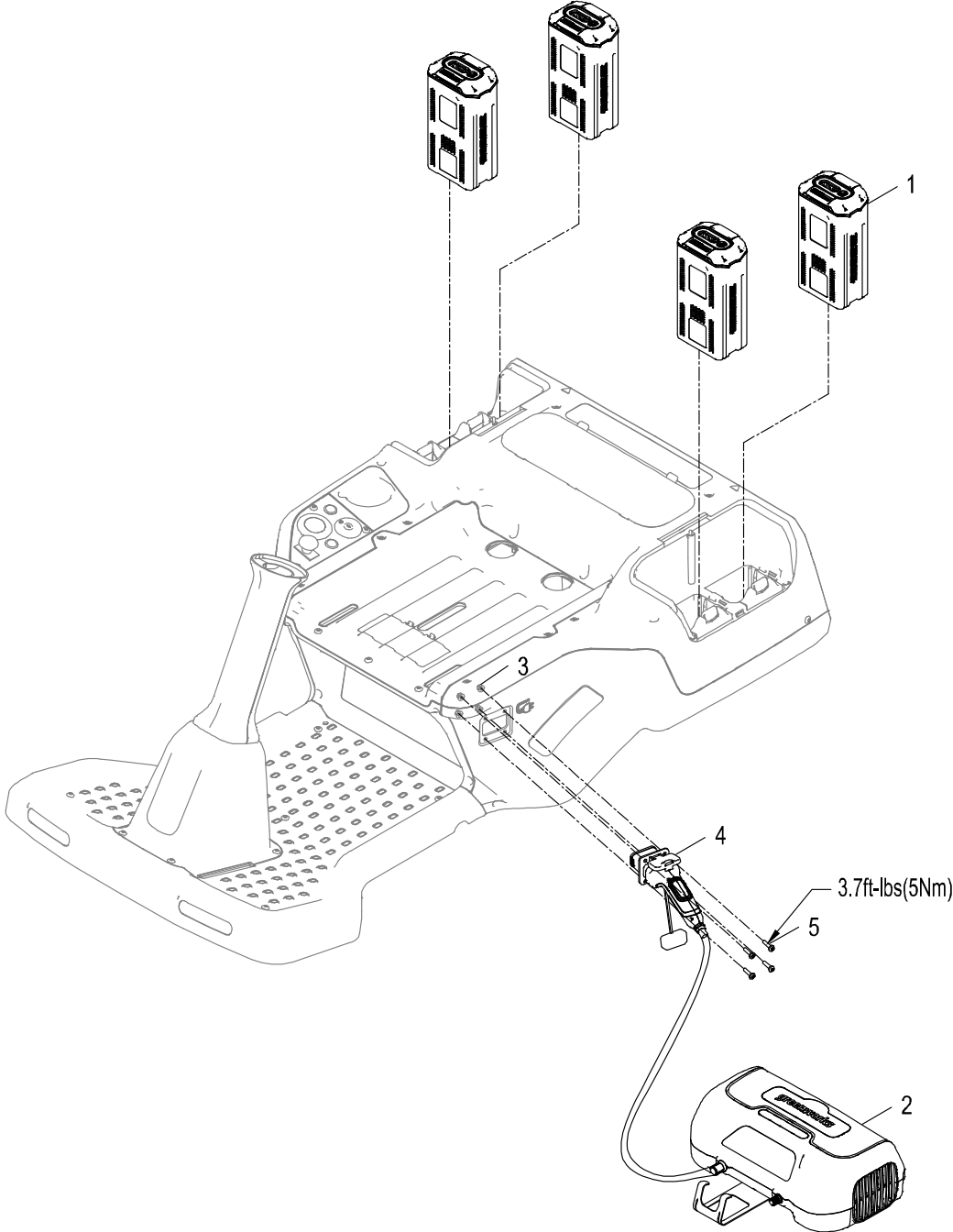
# GUARDS AND PROTECTIVE PARTS



| ITEM NO. | PART NO.    | DESCRIPTION             | QTY |
|----------|-------------|-------------------------|-----|
| 28-01    | R0209503-00 | Discharge Pipe Assembly | 1   |
| 28-02    | R0208822-00 | Clamp, Discharge Pipe   | 2   |
| 2:1      | R0208823-00 | Fixed Seat              | 1   |
| 2:2      | R0208824-00 | Latch, Discharge Pipe   | 1   |

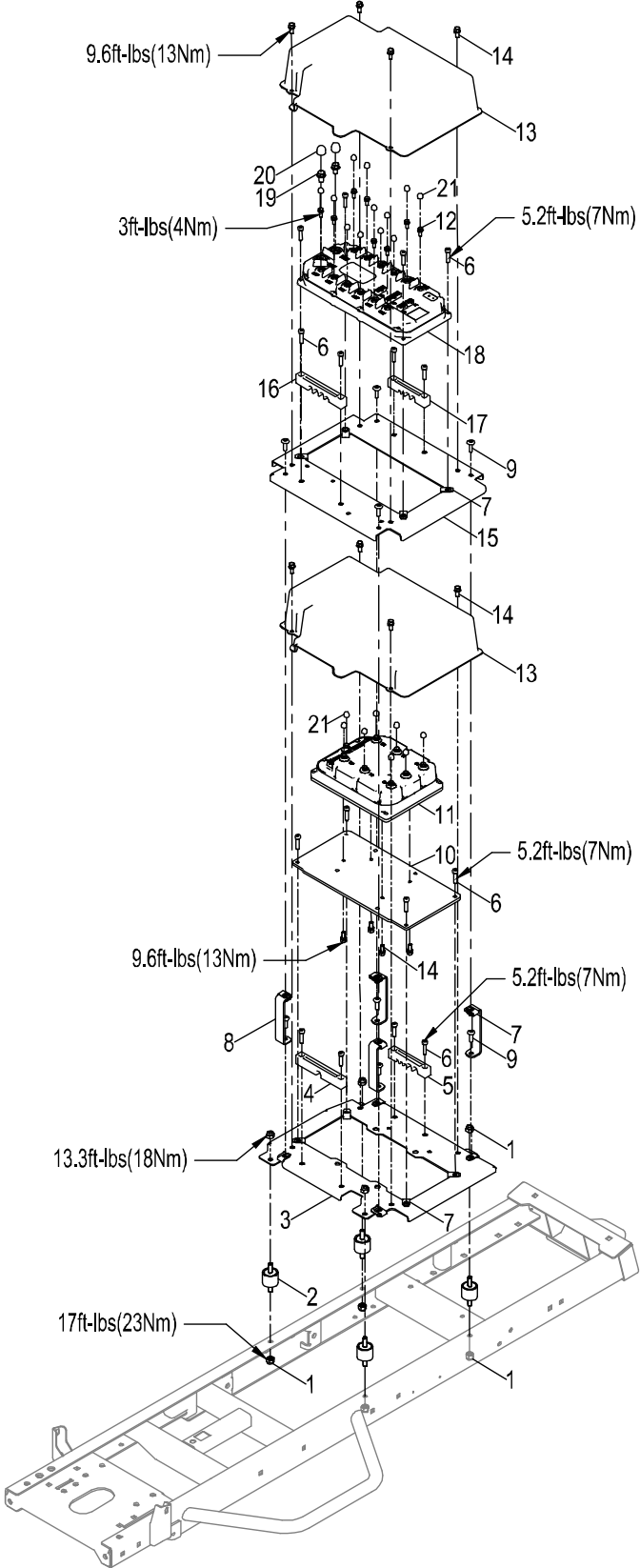


# BATTERY AND CHARGER PARTS



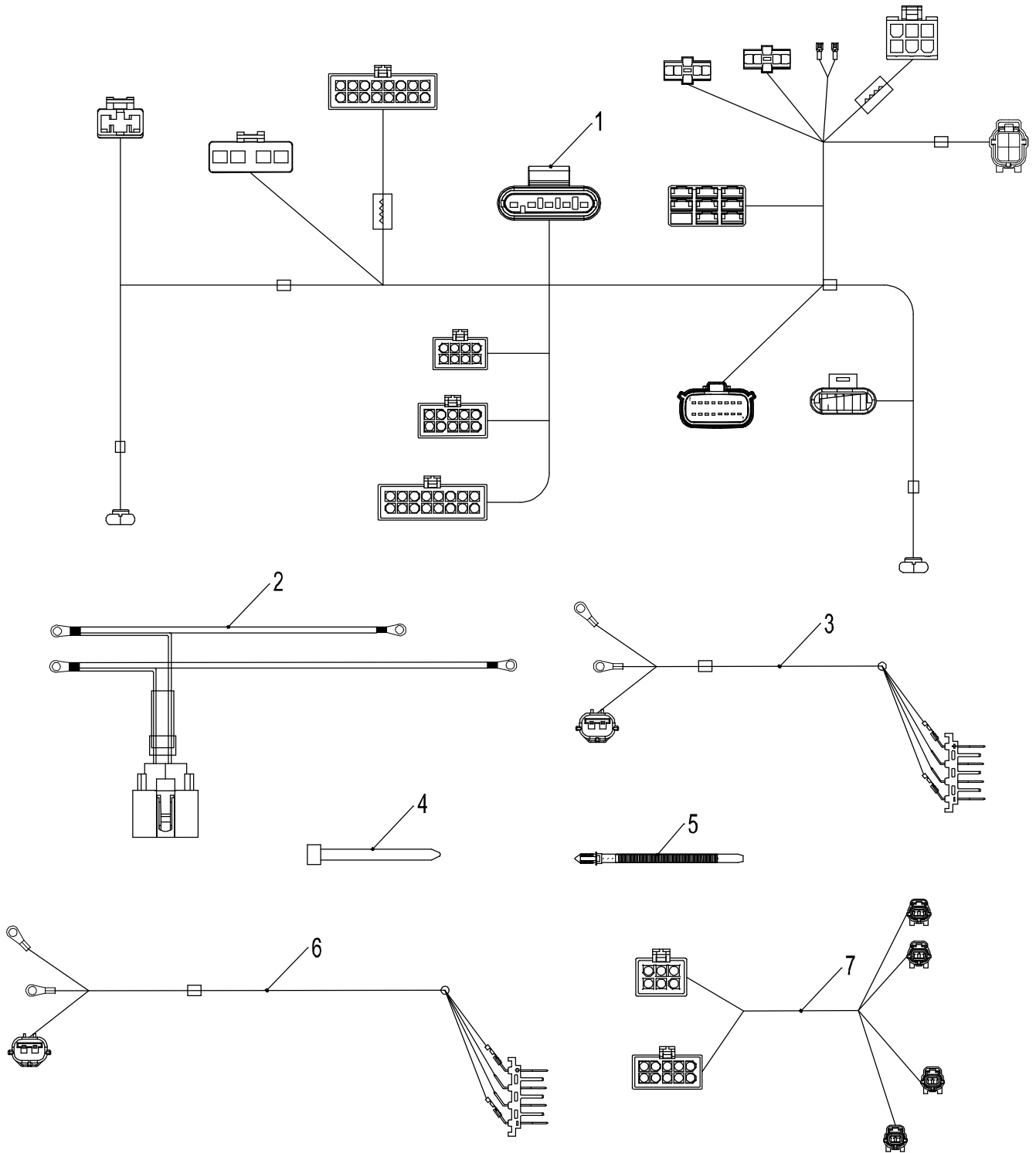
| ITEM NO. | PART NO.    | DESCRIPTION            | QTY |
|----------|-------------|------------------------|-----|
| 31-01    |             | GW Battery ●           | 4   |
| 31-02    |             | GW Charger ●           | 1   |
| 31-03    | R0201379-00 | Locking Flange Nut, M6 | 4   |
| 31-04    | R0208112-00 | Charge Socket, 60V     | 1   |
|          | R0208152-00 | Charge Socket, 80V/82V | 1   |
| 31-05    | R0200570-00 | Screw, Torx T30 M6×25  | 4   |

# CONTROLLERS AND BOX PARTS



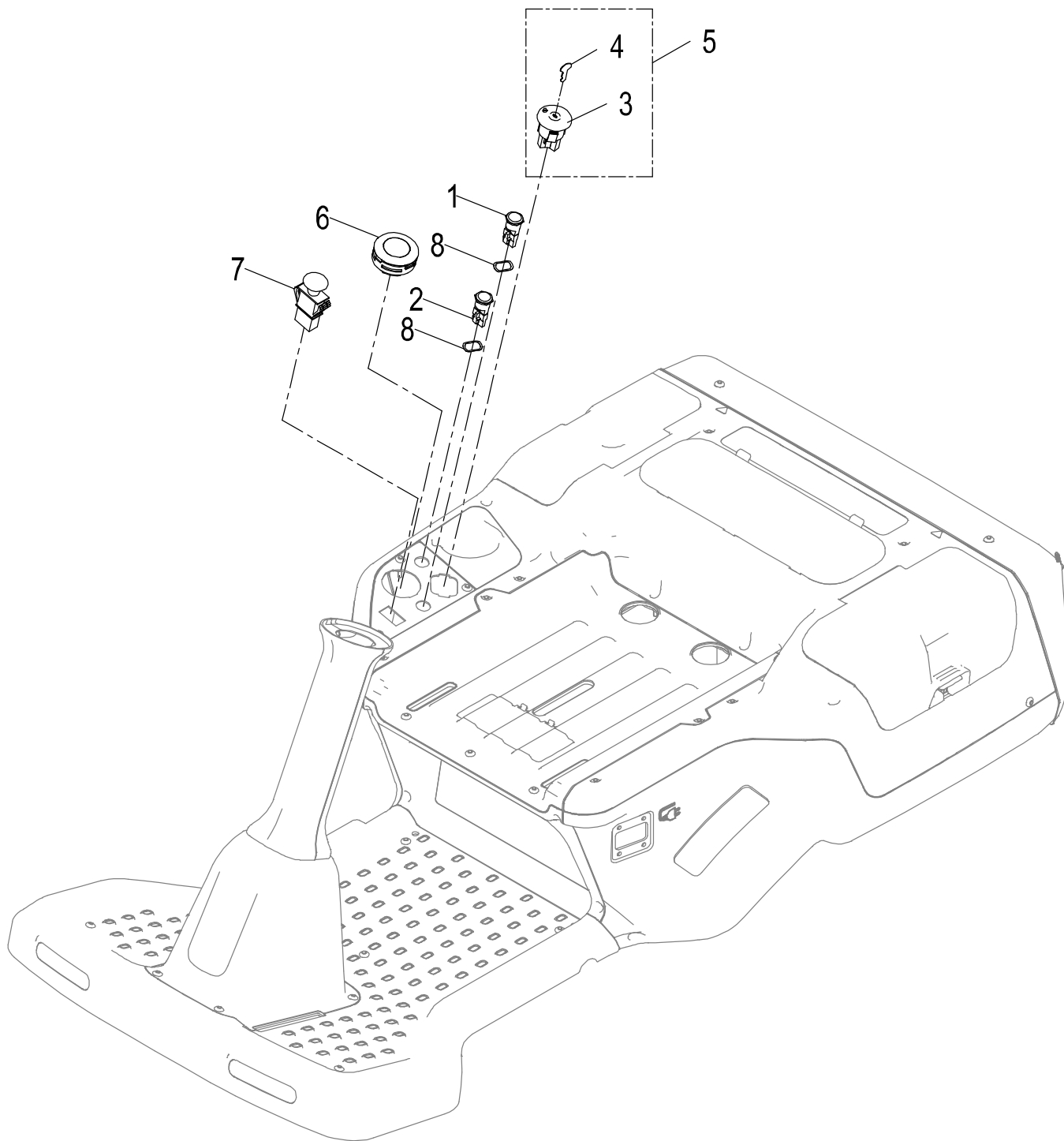
| ITEM NO. | PART NO.    | DESCRIPTION                      | QTY |
|----------|-------------|----------------------------------|-----|
| 32-01    | R0200520-00 | Locking Nut, M8                  | 8   |
| 32-02    | R0201412-00 | Rubber Bumper                    | 4   |
| 32-03    | R0209559-00 | Mounting Plate, Drive Controller | 1   |
| 32-04    | R0208880-00 | Nylon Bracket                    | 1   |
| 32-05    | R0208882-00 | Nylon Bracket                    | 1   |
| 32-06    | R0201415-00 | Socket Head Cap Screw, M6×25     | 16  |
| 32-07    | R0201314-00 | Nut, Clip-On M6                  | 16  |
| 32-08    | R0208903-00 | Fixed Bracket                    | 4   |
| 32-09    | R0201376-00 | Screw, Torx T30 M6×20            | 8   |
| 32-10    | R0209015-00 | Heat Sink                        | 1   |
| 32-11    | R0208145-00 | Drive Controller, 60V            | 1   |
|          | R0209636-00 | Drive Controller, 80V/82V        | 1   |
| 32-12    | R0206109-00 | Bolt, Hex With Washers M5×14     | 8   |
| 32-13    | R0208878-00 | Guard, Controller And PMU        | 2   |
| 32-14    | R0205253-00 | Bolt, Hex With Washers M6×16     | 12  |
| 32-15    | R0208877-00 | Mounting Plate, PMU              | 1   |
| 32-16    | R0208879-00 | Nylon Bracket                    | 1   |
| 32-17    | R0208881-00 | Nylon Bracket                    | 1   |
| 32-18    | R0208256-00 | PMU, 60V                         | 1   |
|          | R0208257-00 | PMU, 80V/82V                     | 1   |
| 32-19    | R0200380-00 | Bolt, Hex With Washers M8×16     | 2   |
| 32-20    | R0205349-00 | Dust Cap M8                      | 2   |
| 32-21    | R0205351-00 | Dust Cap M5                      | 16  |

# WIRE HARNESS



| ITEM NO. | PART NO.    | DESCRIPTION                               | QTY |
|----------|-------------|---|-----|
| 33-01    | R0208703-00 | Control Harness Assembly of Whole Machine | 1   |
| 33-02    | R0208708-00 | Power Wiring Harness, Vehicle             | 1   |
| 33-03    | R0208709-00 | Power Wiring Harness, Left Battery        | 2   |
| 33-04    | R0200390-00 | Zip Tie                                   | 20  |
| 33-05    | R0202543-00 | Zip Tie                                   | 15  |
| 33-06    | R0208710-00 | Power Wiring Harness, Right Battery       | 2   |
| 33-07    | R0208711-00 | Adapter 300V                              | 1   |

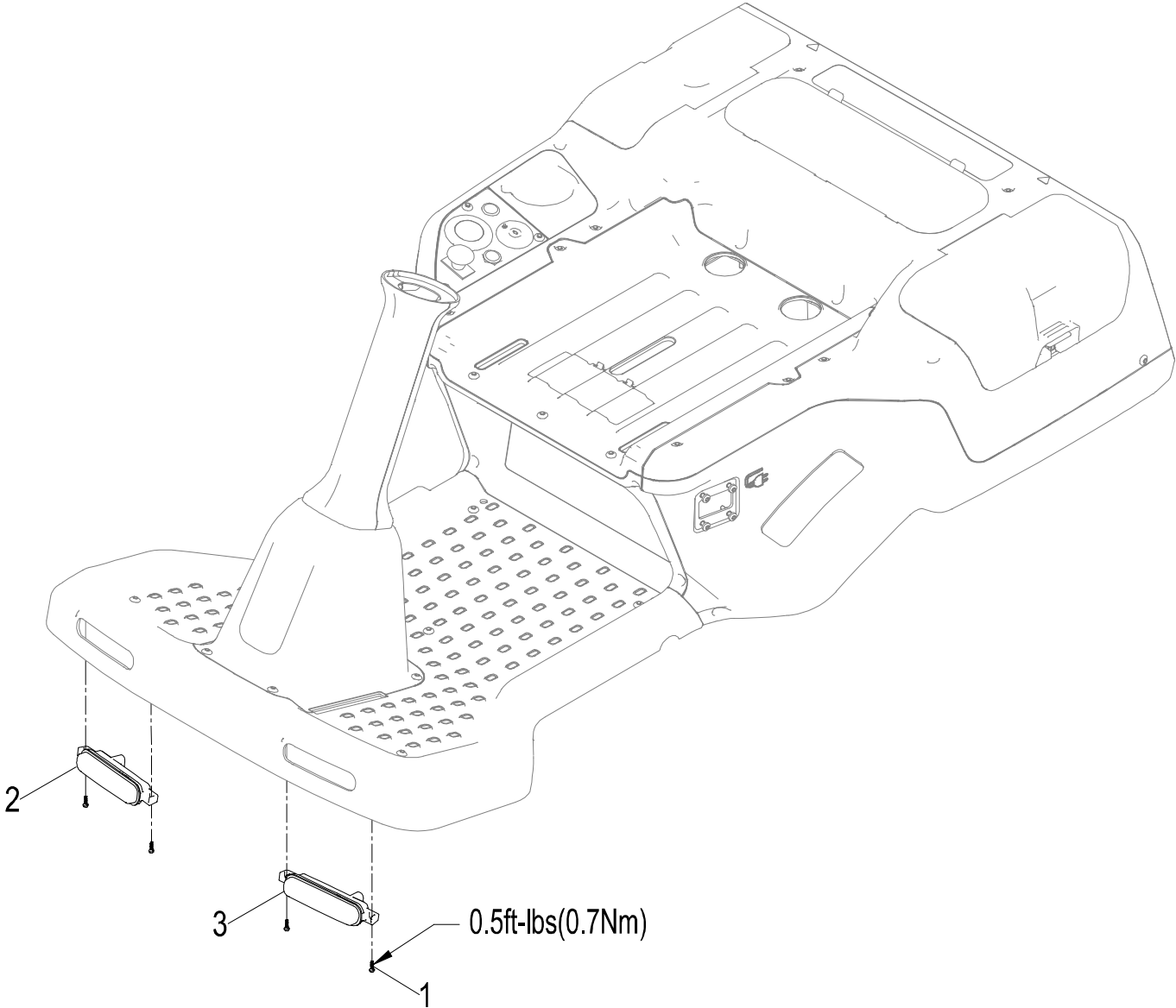
# SWITCHES & METER PARTS



| ITEM NO. | PART NO.    | DESCRIPTION                  | QTY |
|----------|-------------|------------------------------|-----|
| 35-01    | R0203264-00 | Switch, Reverse              | 1   |
| 35-02    | R0203234-00 | Switch, High And Low Speed   | 1   |
| 35-03    | R0208458-00 | Ignition Key                 | 1   |
| 35-04    | R0201216-00 | Key                          | 1   |
| 35-05    | R0205050-00 | Ignition Assembly            | 1   |
| 35-06    | R0208705-00 | LCD Dashboard                | 1   |
| 35-07    | R0200717-00 | PTO Switch                   | 1   |
| 35-08    | R0203538-00 | Corrugated Washer, $\Phi$ 29 | 2   |

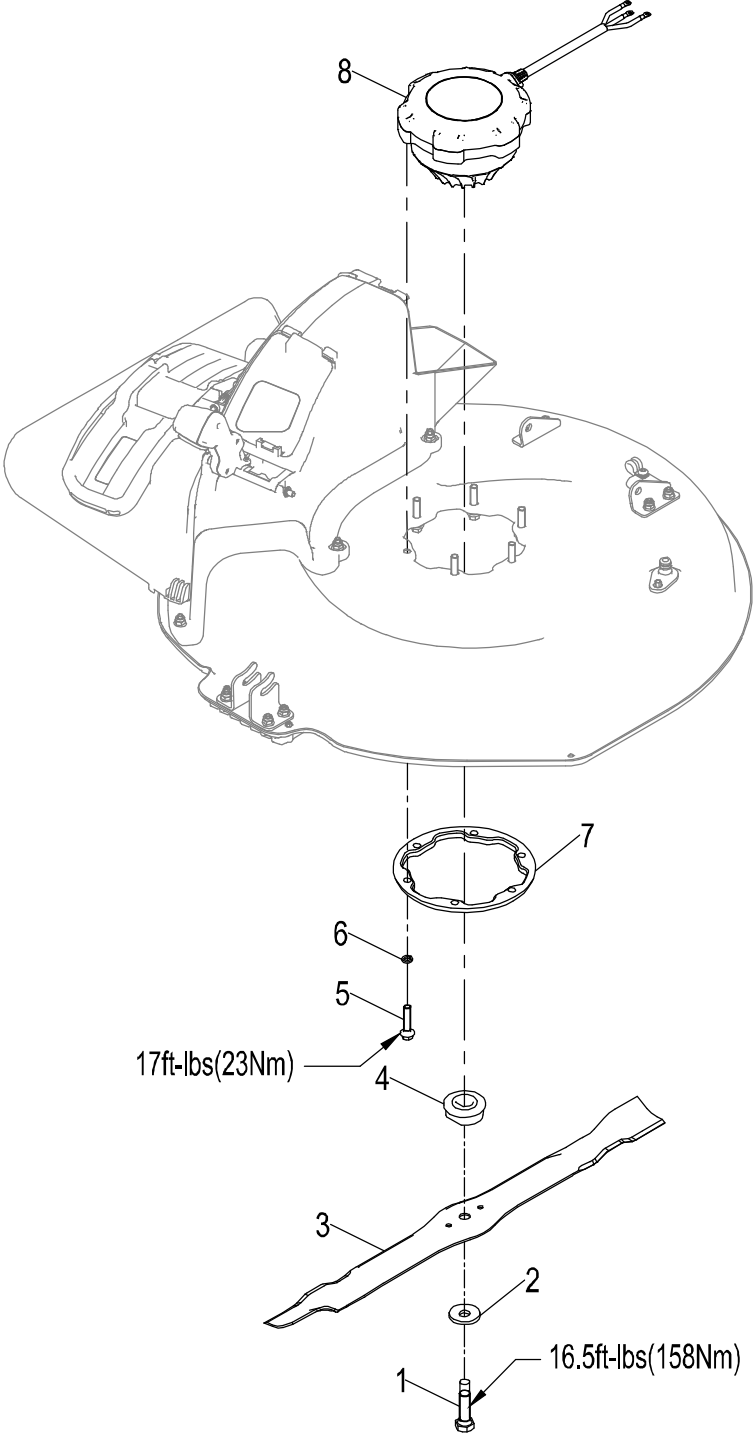


# LIGHTS PARTS



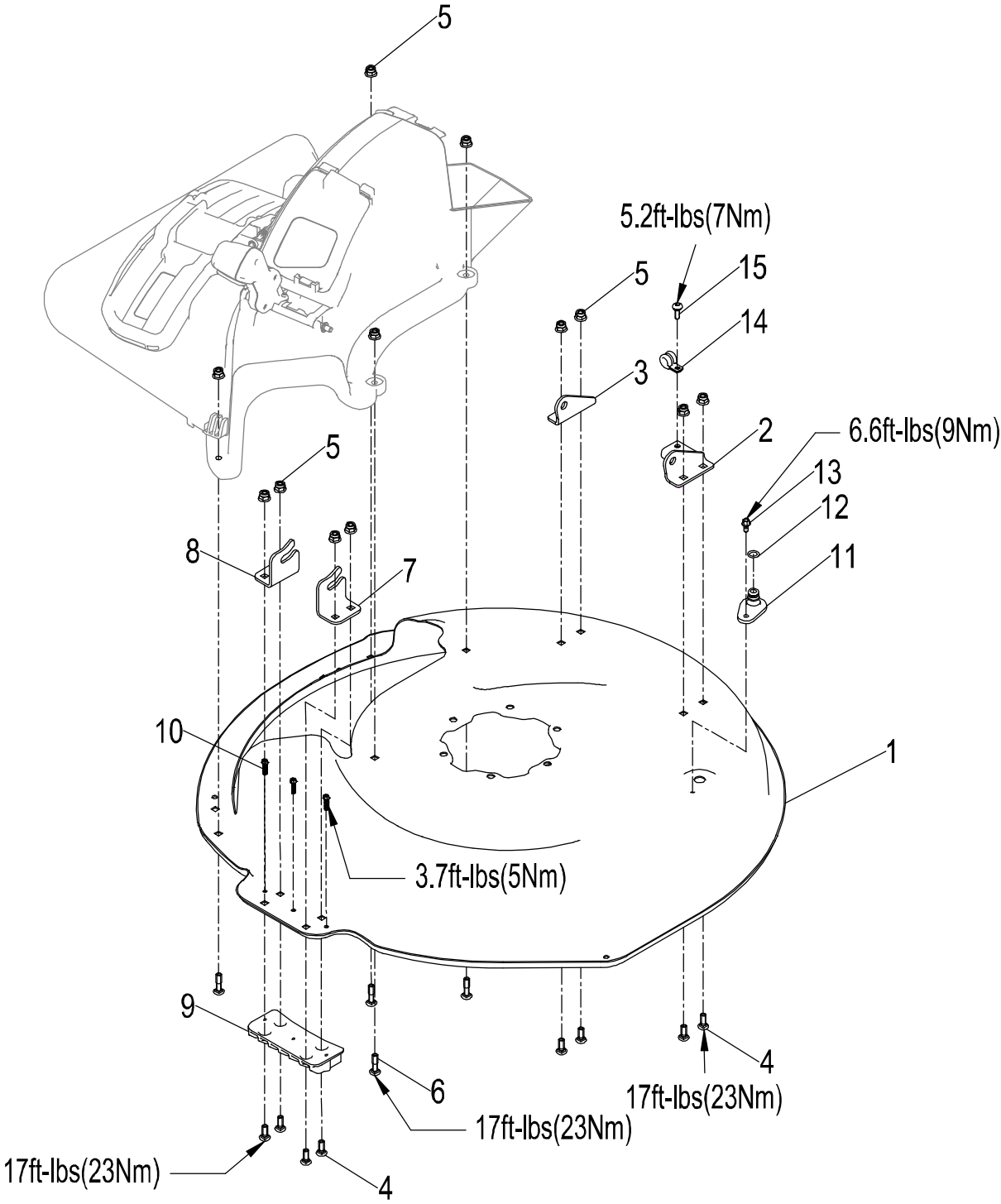
| ITEM NO. | PART NO.    | DESCRIPTION             | QTY |
|----------|-------------|-------------------------|-----|
| 39-01    | R0203426-00 | Screw, Torx T20 ST4×16  | 4   |
| 39-02    | R0208150-00 | Right Light, Foot Pedal | 1   |
| 39-03    | R0208151-00 | Left Light, Foot Pedal  | 1   |

# DECK, MOTORS, BLADES PARTS



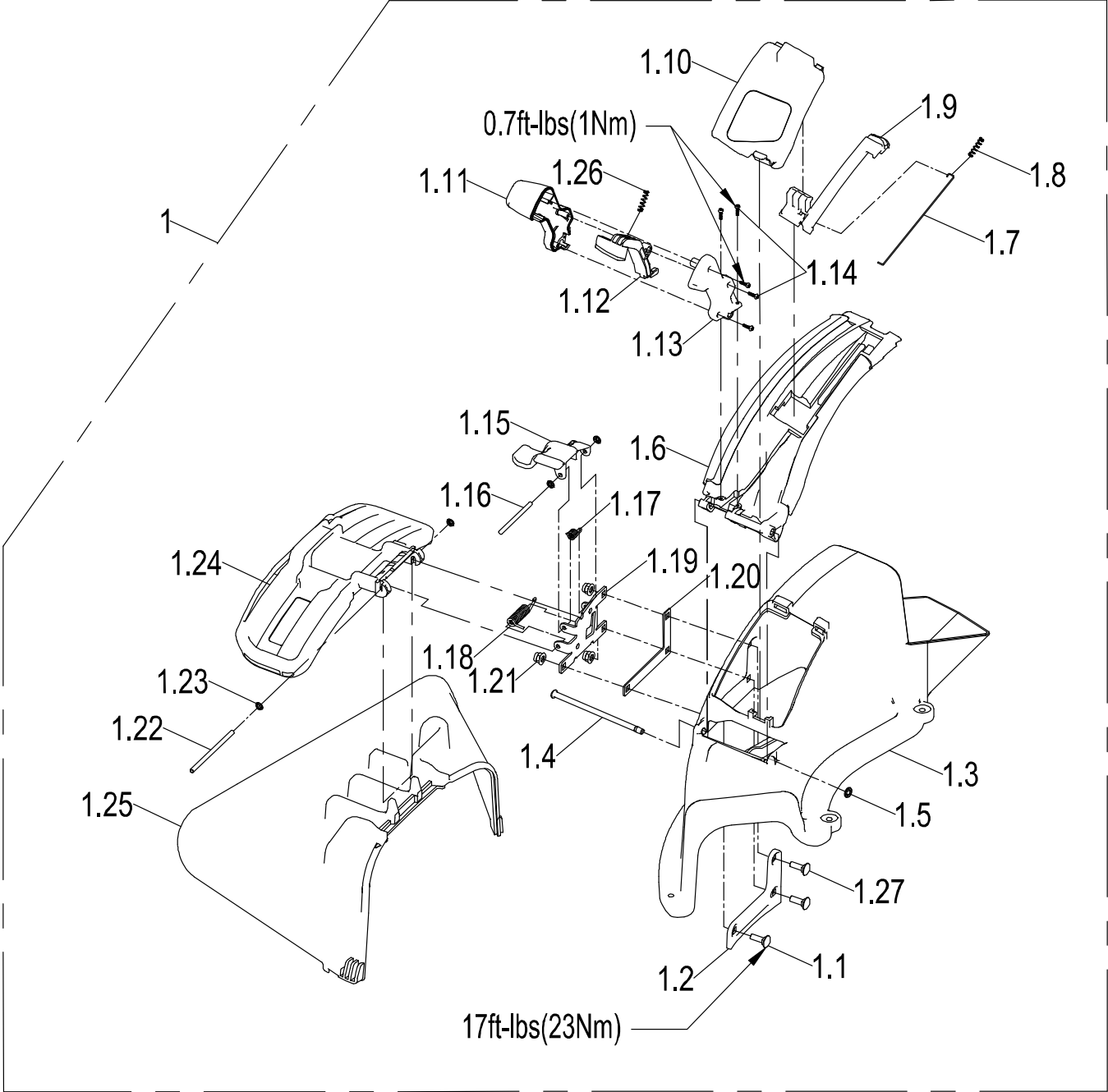
| ITEM NO. | PART NO.    | DESCRIPTION                 | QTY |
|----------|-------------|-----------------------------|-----|
| 41-01    | R0208835-00 | Bolt, Hex M16×50            | 1   |
| 41-02    | R0200365-00 | Blade Washer                | 1   |
| 41-03    | R0208836-00 | Blade, High-Lift (30" Deck) | 1   |
| 41-04    | R0208837-00 | Blade Collar                | 1   |
| 41-05    | R0200531-00 | Bolt, Flange M10×35         | 6   |
| 41-06    | R0200499-00 | Washer, Φ10.2               | 6   |
| 41-07    | R0208838-00 | Flange Plate                | 1   |
| 41-08    | R0208706-00 | Blade Motor, 60V            | 1   |
|          | R0209499-00 | Blade Motor, 80V/82V        | 1   |

# DECK COMPONENTS



| ITEM NO. | PART NO.    | DESCRIPTION                                       | QTY |
|----------|-------------|---|-----|
| 42-01    | R0208859-00 | 30" Cutting Deck Weldment                         | 1   |
| 42-02    | R0208860-00 | Left Articulated Plate, Rear, Height Adjustment   | 1   |
| 42-03    | R0208861-00 | Right Articulated Plate, Rear, Height Adjustment  | 1   |
| 42-04    | R0200526-00 | Cup Head Bolts-Grade B, M8×20                     | 8   |
| 42-05    | R0200496-00 | Locking Flange Nut, M8                            | 12  |
| 42-06    | R0200528-00 | Carriage Bolt, M8×30                              | 4   |
| 42-07    | R0208862-00 | Left Articulated Plate, Front, Height Adjustment  | 1   |
| 42-08    | R0208863-00 | Right Articulated Plate, Front, Height Adjustment | 1   |
| 42-09    | R0208864-00 | Guide Plate, Discharge Chute                      | 1   |
| 42-10    | R0204252-00 | Phillips, ST5×20                                  | 3   |
| 42-11    | R0208866-00 | Water Connector                                   | 1   |
| 42-12    | R0203283-00 | O-Ring  | 1   |
| 42-13    | R0202294-00 | Phillips, ST6.3×16                                | 1   |
| 42-14    | R0205449-00 | Wire Clamp  | 1   |
| 42-15    | R0201279-00 | Screw With Washers, Torx T30 M6×20                | 1   |

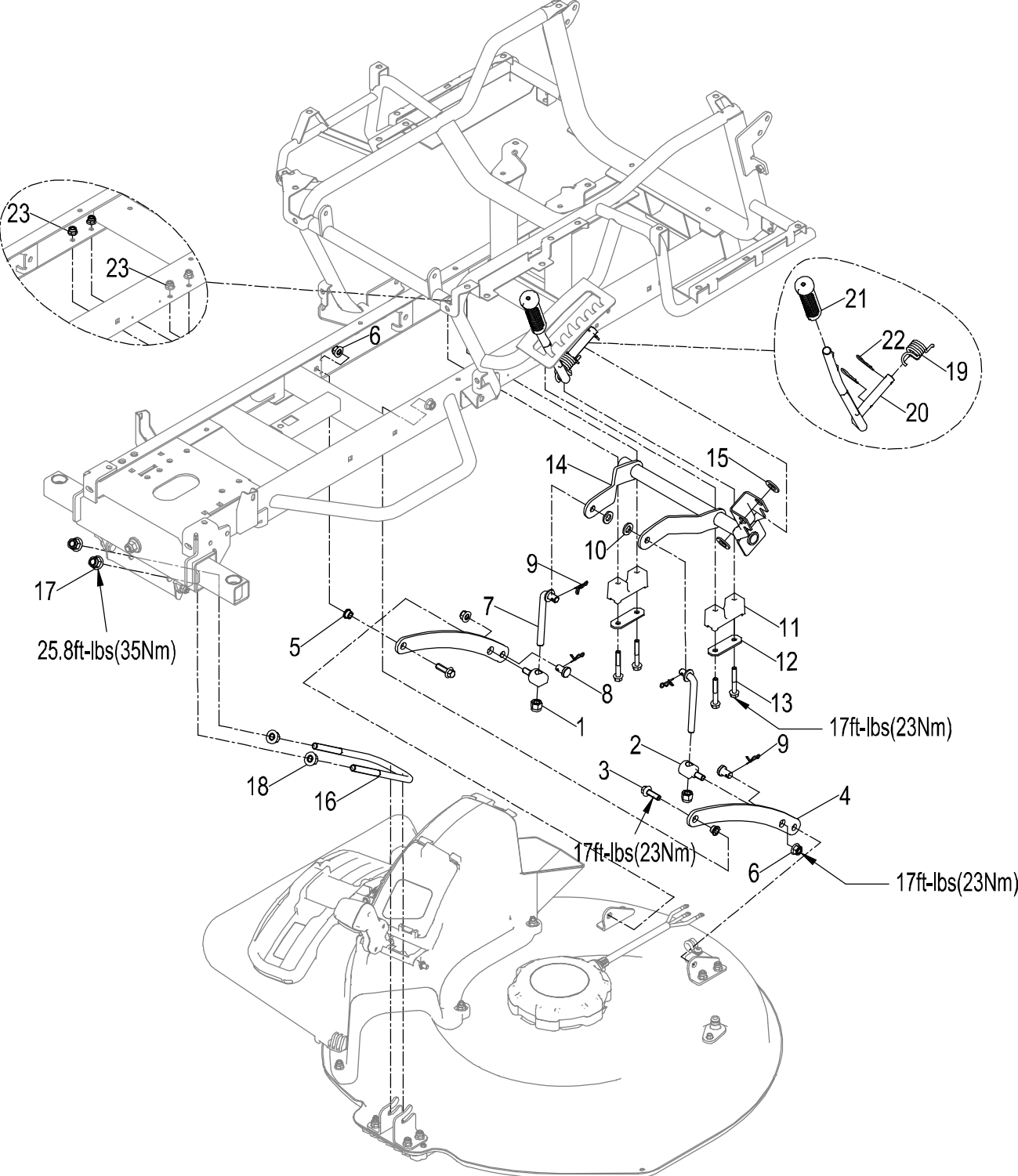
# DISCHARGE CHUTE ASSEMBLY



| ITEM NO. | PART NO.    | DESCRIPTION                   | QTY |
|----------|-------------|-------------------------------|-----|
| 43-01    | R0208867-00 | Discharge Chute Assembly, 30" | 1   |
| 1.01     | R0208939-00 | Carriage Bolt, M8×25          | 2   |
| 1.02     | R0208940-00 | Coverplate                    | 1   |
| 1.03     | R0208941-00 | Discharge Pipe Assembly       | 1   |
| 1.04     | R0202306-00 | Fixed Pin                     | 1   |
| 1.05     | R0202303-00 | Bearing Clip                  | 1   |
| 1.06     | R0208942-00 | Baffle                        | 1   |
| 1.07     | R0208943-00 | Pull Handle                   | 1   |
| 1.08     | R0208944-00 | Spring                        | 1   |
| 1.09     | R0208945-00 | Latch                         | 1   |
| 1.10     | R0208946-00 | Outlet Plate                  | 1   |
| 1.11     | R0208947-00 | Handle, Right                 | 1   |
| 1.12     | R0208948-00 | Limited Rod                   | 1   |
| 1.13     | R0208949-00 | Handle, Left                  | 1   |
| 1.14     | R0203426-00 | Screw, Torx T20 ST4×16        | 5   |
| 1.15     | R0208950-00 | Knob                          | 1   |
| 1.16     | R0208421-00 | Pin Shaft                     | 1   |
| 1.17     | R0208951-00 | Torsion Spring                | 1   |
| 1.18     | R0208952-00 | Torsion Spring                | 1   |
| 1.19     | R0208953-00 | Mounting Plate                | 1   |
| 1.20     | R0208954-00 | Subplate                      | 1   |
| 1.21     | R0200496-00 | Locking Flange Nut, M8        | 3   |
| 1.22     | R0208955-00 | Rotating Shaft                | 1   |
| 1.23     | R0202297-00 | Bearing Clip                  | 4   |
| 1.24     | R0208956-00 | Mulch Chute, 30"              | 1   |
| 1.25     | R0208957-00 | Discharge Chute, 30"          | 1   |
| 1.26     | R0208958-00 | Compression Spring            | 1   |
| 1.27     | R0209560-00 | Cup Head Bolts, M8×30         | 1   |

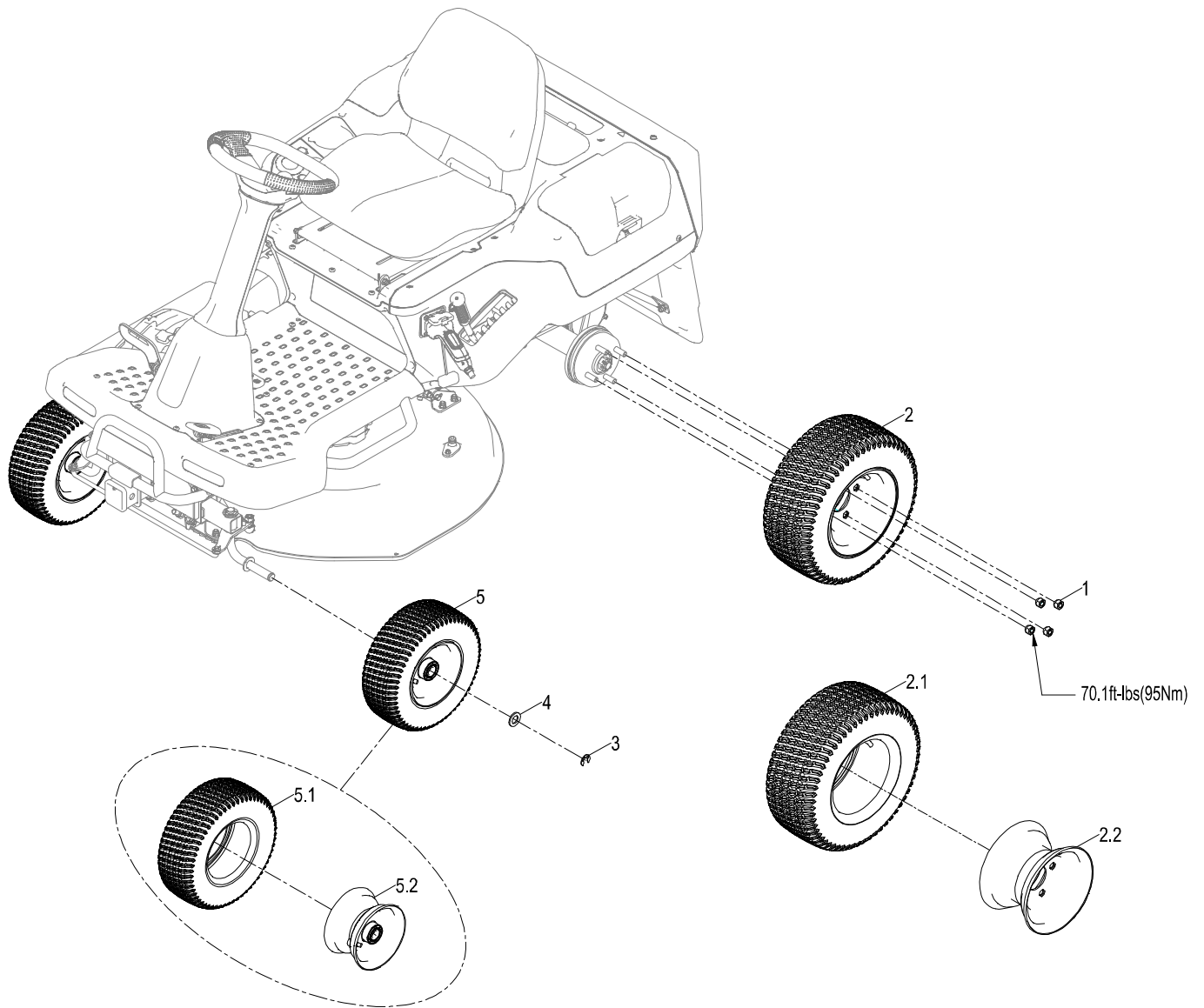


# DECKLIFT ASSEMBLY



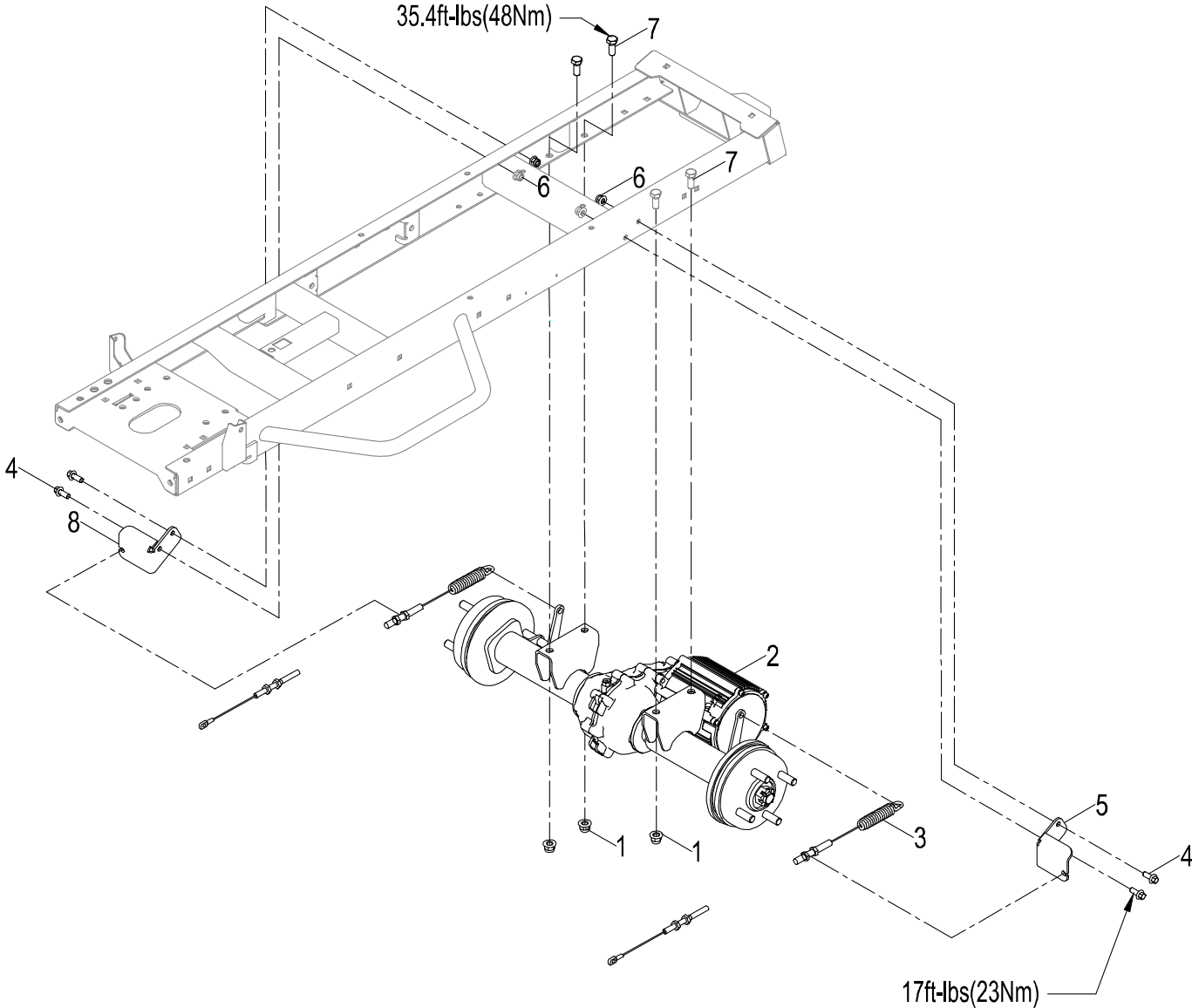
| ITEM NO. | PART NO.    | DESCRIPTION                     | QTY |
|----------|-------------|---------------------------------|-----|
| 45-01    | R0200515-00 | Locking Nut, M12                | 2   |
| 45-02    | R0202233-00 | Trunnion                        | 2   |
| 45-03    | R0200550-00 | Bolt, Flange M10×30             | 2   |
| 45-04    | R0208918-00 | Connecting Plate                | 2   |
| 45-05    | R0201469-00 | Sleeve                          | 2   |
| 45-06    | R0200557-00 | Locking Flange Nut, M10         | 4   |
| 45-07    | R0208961-00 | Height Adjustment Rod           | 2   |
| 45-08    | R0208981-00 | Pin                             | 2   |
| 45-09    | R0201398-00 | R Pin                           | 4   |
| 45-10    | R0200543-00 | Plain Washer, Φ12               | 2   |
| 45-11    | R0208443-00 | Fixed Plate                     | 2   |
| 45-12    | R0208444-00 | Fixed Plate                     | 2   |
| 45-13    | R0208518-00 | Bolt, Flange M8×55              | 4   |
| 45-14    | R0208917-00 | Rear Height Adjustment Weldment | 1   |
| 45-15    | R0201475-00 | Plain Washer, Φ17               | 2   |
| 45-16    | R0208960-00 | Height Adjustment Lever, Front  | 1   |
| 45-17    | R0200369-00 | Locking Flange Nut, M12         | 2   |
| 45-18    | R0200559-00 | Flange Nut, M12                 | 2   |
| 45-19    | R0208962-00 | Torsional Spring                | 1   |
| 45-20    | R0208963-00 | Height Adjustment Lever, Rear   | 1   |
| 45-21    | R0202223-00 | Height Adjustment Handle Sleeve | 1   |
| 45-22    | R0201478-00 | R pin                           | 2   |
| 45-23    | R0200496-00 | Locking Flange Nut, M8          | 4   |

# WHEELS ASSEMBLY



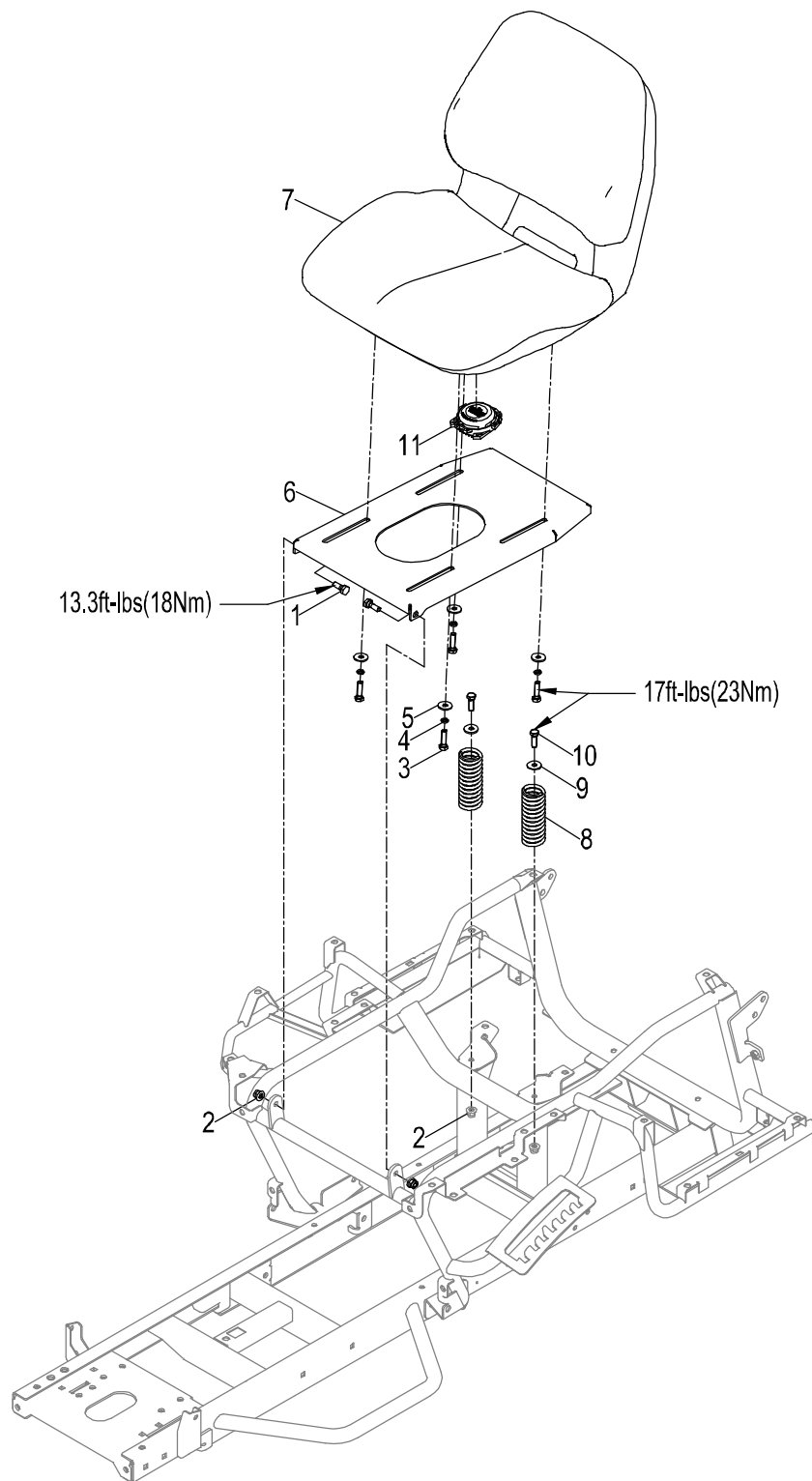
| ITEM NO. | PART NO.    | DESCRIPTION                      | QTY |
|----------|-------------|----------------------------------|-----|
| 51-01    | R0200368-00 | Nut, 1/2-20UNF                   | 8   |
| 51-02    | R0208827-00 | Rear Wheel / Tire Assy, 16×6.5-8 | 2   |
| 2.1      | R0208829-00 | Tire, 16×6.5-8                   | 1   |
| 2.2      | R0208828-00 | Rim, 8×5.5                       | 1   |
| 51-03    | R0202036-00 | Retainer Ring                    | 2   |
| 51-04    | R0202661-00 | Washer, Φ21                      | 2   |
| 51-05    | R0208926-00 | Front Wheel / Tire Assy, 13×5-6  | 2   |
| 5.1      | R0208928-00 | Tire, 13×5-6                     | 1   |
| 5.2      | R0208927-00 | Rim, 6×3.5                       | 1   |

# DRIVE MOTOR AND TRANSMISSION PARTS



| ITEM NO. | PART NO.    | DESCRIPTION              | QTY |
|----------|-------------|--------------------------|-----|
| 55-01    | R0200521-00 | Locking Flange Nut, M10  | 3   |
| 55-02    | R0208707-00 | Motor, 60V, Gear Box     | 1   |
|          | R0209500-00 | Motor, 80V/82V, Gear Box | 1   |
| 55-03    | R0202074-00 | Brake Cable              | 2   |
| 55-04    | R0203853-00 | Bolt, Flange M8×20       | 4   |
| 55-05    | R0208870-00 | Left Bracket Weldment    | 1   |
| 55-06    | R0200496-00 | Locking Flange Nut, M8   | 4   |
| 55-07    | R0200509-00 | Bolt, Hex M10×25         | 4   |
| 55-08    | R0208871-00 | Right Bracket Weldment   | 1   |

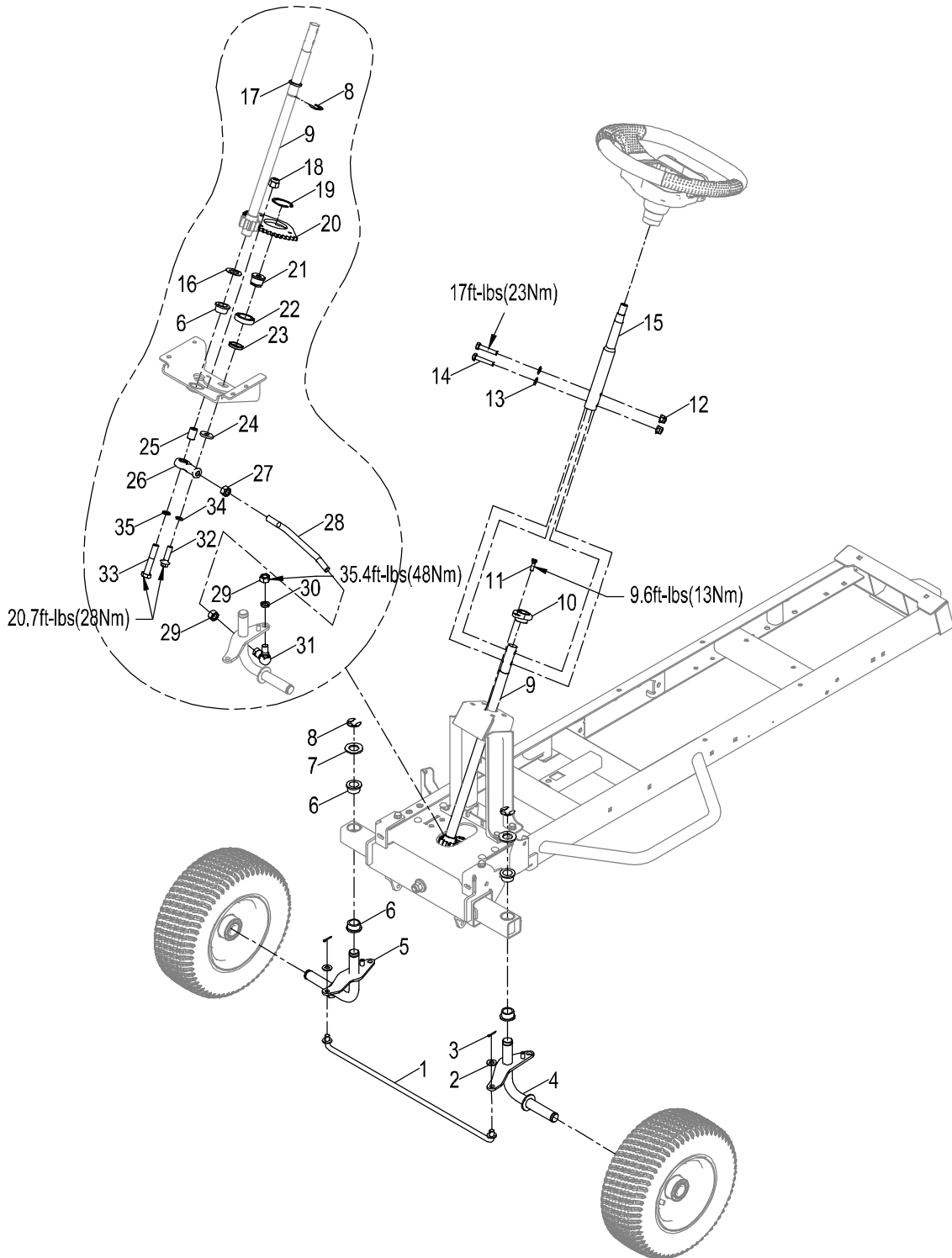
# SEAT AND MOUNT PARTS



| ITEM NO. | PART NO.    | DESCRIPTION            | QTY |
|----------|-------------|------------------------|-----|
| 61-01    | R0208887-00 | Bolt, Hex M8×23.5      | 2   |
| 61-02    | R0200496-00 | Locking Flange Nut, M8 | 4   |
| 61-03    | R0200535-00 | Bolt, M8×30            | 4   |
| 61-04    | R0200540-00 | Washer, Φ8.1           | 4   |
| 61-05    | R0200541-00 | Washer, Φ8.4           | 4   |
| 61-06    | R0208972-00 | Mounting Plate, Seat   | 1   |
| 61-07    | R0208971-00 | Seat Assembly          | 1   |
| 61-08    | R0208905-00 | Compression Spring     | 2   |
| 61-09    | R0200541-00 | Washer, Φ8.4           | 2   |
| 61-10    | R0200396-00 | Bolt, M8×25            | 2   |
| 61-11    | R0102987-00 | Seat Switch            | 1   |



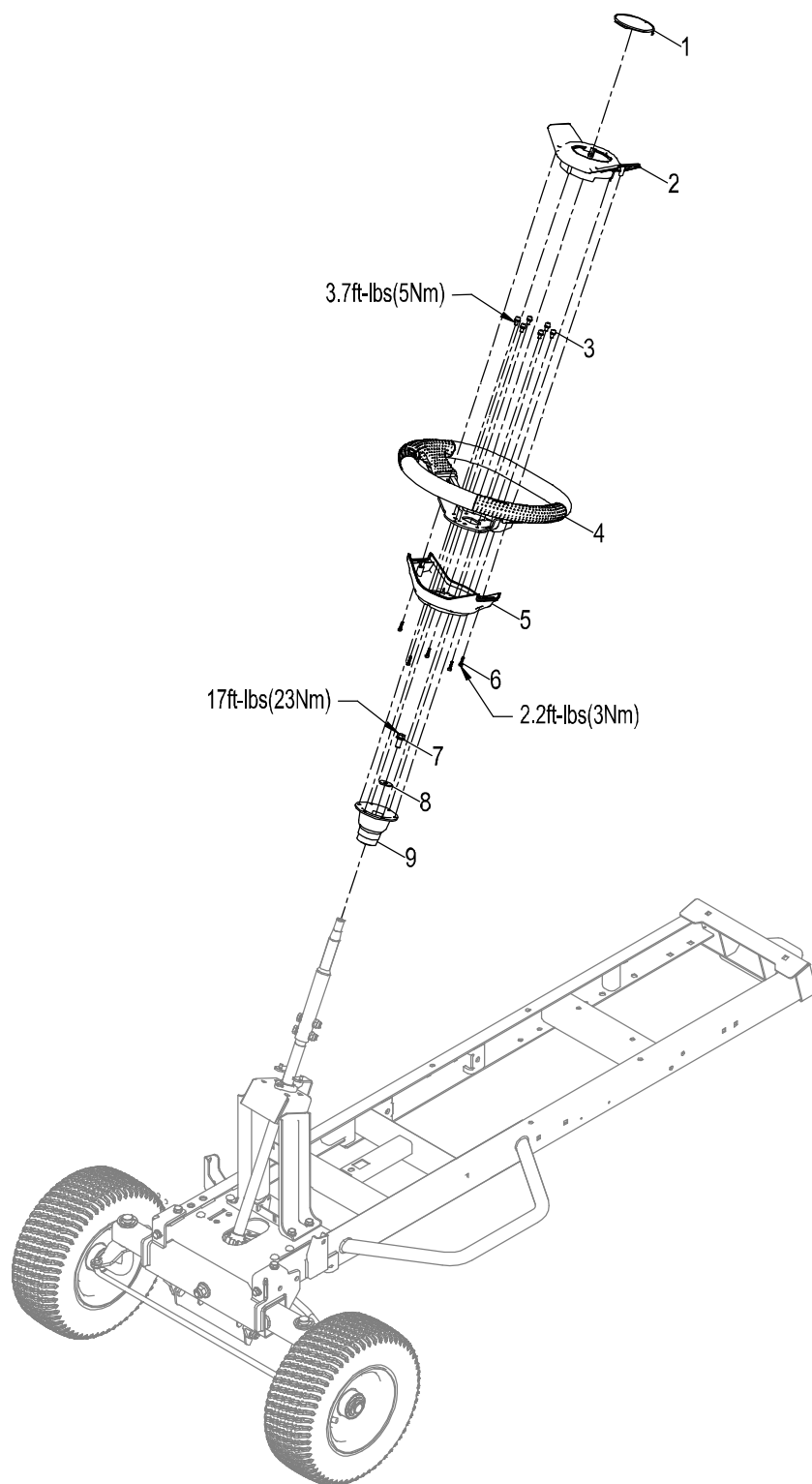
# STEERING ASSEMBLY



| ITEM NO. | PART NO.    | DESCRIPTION                     | QTY |
|----------|-------------|---------------------------------|-----|
| 66-01    | R0208929-00 | Pull Handle Weldment            | 1   |
| 66-02    | R0200502-00 | Plain Washer, $\Phi$ 10.5       | 2   |
| 66-03    | R0205199-00 | Split Pin                       | 2   |
| 66-04    | R0208933-00 | Left Front Wheel Axle Weldment  | 1   |
| 66-05    | R0208925-00 | Right Front Wheel Axle Weldment | 1   |
| 66-06    | R0202042-00 | Shaft Sleeve                    | 5   |
| 66-07    | R0202661-00 | Washer, $\Phi$ 21               | 2   |
| 66-08    | R0202036-00 | Retainer Ring                   | 3   |
| 66-09    | R0208932-00 | Steering Column                 | 1   |
| 66-10    | R0202087-00 | Nylon Sleeve                    | 1   |
| 66-11    | R0200384-00 | Bolt, M6 $\times$ 20            | 1   |
| 66-12    | R0200496-00 | Locking Flange Nut, M8          | 2   |
| 66-13    | R0200548-00 | Plain Washers, $\Phi$ 8         | 2   |
| 66-14    | R0209016-00 | Bolt, M8 $\times$ 40            | 2   |
| 66-15    | R0208931-00 | Steering Shaft                  | 1   |
| 66-16    | R0208920-00 | Washer, Wheel Axle              | 1   |
| 66-17    | R0208924-00 | Washer, $\Phi$ 20.5             | 1   |
| 66-18    | R0200515-00 | Locking Nut, M12                | 1   |
| 66-19    | R0208921-00 | Circlip, $\Phi$ 45.5            | 1   |
| 66-20    | R0208930-00 | Steering Gear                   | 1   |
| 66-21    | R0208919-00 | Fixed Seat, Latch               | 1   |
| 66-22    | R0209017-00 | Bearing, 6905-2RS               | 1   |
| 66-23    | R0208922-00 | Spacer Washer                   | 1   |
| 66-24    | R0208923-00 | Eccentric Block Washer          | 1   |
| 66-25    | R0208934-00 | Spacer                          | 1   |
| 66-26    | R0208936-00 | Bearing, SILJK12C               | 1   |
| 66-27    | R0208938-00 | Hexagon Nuts, M12               | 1   |
| 66-28    | R0208937-00 | Pull Handle                     | 1   |
| 66-29    | R0205392-00 | Hexagon Nuts, M12               | 2   |
| 66-30    | R0208227-00 | Spring Washer, $\Phi$ 12.2      | 1   |
| 66-31    | R0208935-00 | Steering Ball                   | 1   |
| 66-32    | R0200531-00 | Bolt, Flange M10 $\times$ 35    | 1   |

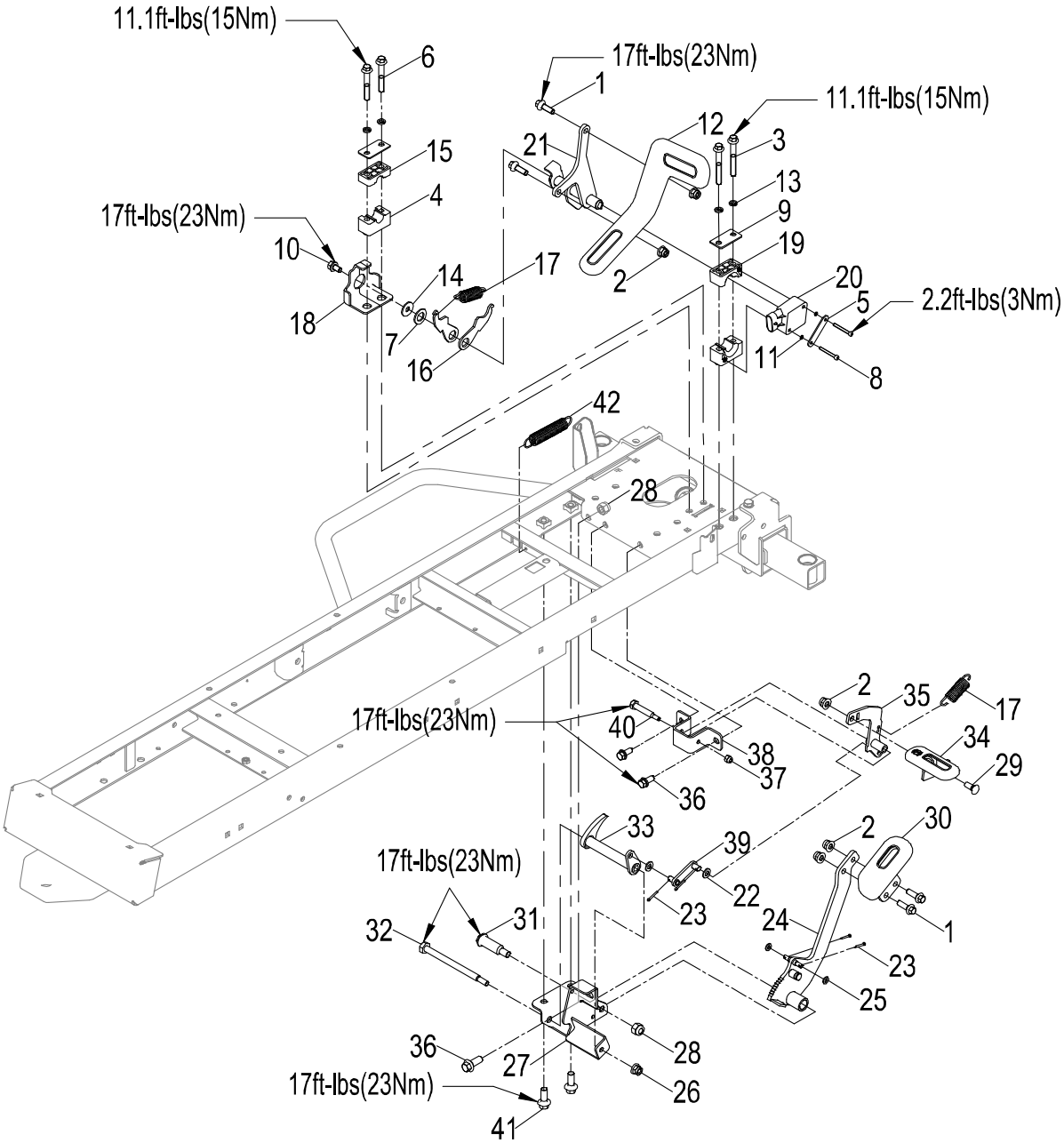
| ITEM NO. | PART NO.    | DESCRIPTION   | QTY |
|----------|-------------|---------------|-----|
| 66-33    | R0208965-00 | Bolt, M12×65  | 1   |
| 66-34    | R0200499-00 | Washer, Φ10.2 | 1   |
| 66-35    | R0208964-00 | Washer, Φ12   | 1   |

# STEERING WHEEL ASSEMBLY



| ITEM NO. | PART NO.    | DESCRIPTION                  | QTY |
|----------|-------------|------------------------------|-----|
| 67-01    | R0208970-00 | Top Cover                    | 1   |
| 67-02    | R0208968-00 | Upper Cover, Steering        | 1   |
| 67-03    | R0203456-00 | Bolt, Hex With Washers M5×10 | 6   |
| 67-04    | R0208966-00 | Steering Wheel Assembly      | 1   |
| 67-05    | R0208969-00 | Lower Cover, Steering        | 1   |
| 67-06    | R0203426-00 | Screw, Torx T20 ST4×16       | 5   |
| 67-07    | R0200534-00 | Bolt, Hex With Washers M8×20 | 1   |
| 67-08    | R0200541-00 | Washer, Φ8.4                 | 1   |
| 67-09    | R0208967-00 | Connecting Seat, Steering    | 1   |

# PEDALS ASSEMBLY



| ITEM NO. | PART NO.    | DESCRIPTION                   | QTY |
|----------|-------------|-------------------------------|-----|
| 68-01    | R0208303-00 | Bolt, Flange M8×25            | 4   |
| 68-02    | R0208304-00 | Lock Nut, M8                  | 5   |
| 68-03    | R0200510-00 | Hexagon Flange Bolt, M8×65    | 2   |
| 68-04    | R0208973-00 | Base                          | 2   |
| 68-05    | R0201541-00 | Subplate                      | 1   |
| 68-06    | R0200508-00 | Hexagon Flange Bolt, M8×55    | 2   |
| 68-07    | R0201356-00 | Nylon Pad                     | 1   |
| 68-08    | R0201539-00 | Socket Head Cap Screw, M4×35  | 2   |
| 68-09    | R0103065-00 | Retaining Plate               | 2   |
| 68-10    | R0200380-00 | Bolt, Hex With Washers M8×16  | 1   |
| 68-11    | R0200536-00 | Spring Washer, Φ4.1           | 2   |
| 68-12    | R0208974-00 | Pedal, Accelerator            | 1   |
| 68-13    | R0200540-00 | Washer, Φ8.1                  | 4   |
| 68-14    | R0200541-00 | Washer, Φ8.4                  | 1   |
| 68-15    | R0103060-00 | Support Base                  | 1   |
| 68-16    | R0208975-00 | Limit Plate                   | 2   |
| 68-17    | R0208869-00 | Extension Spring              | 2   |
| 68-18    | R0208976-00 | Limit Plate                   | 1   |
| 68-19    | R0208977-00 | Support Base                  | 1   |
| 68-20    | R0201542-00 | Accelerator                   | 1   |
| 68-21    | R0208978-00 | Bracket, Pedal                | 1   |
| 68-22    | R0200548-00 | Plain Washers, Φ8             | 2   |
| 68-23    | R0205199-00 | Split Pin                     | 4   |
| 68-24    | R0208979-00 | Brake Swing Arm Weldment      | 1   |
| 68-25    | RA32222688  | Plain Washers, Φ6.4           | 2   |
| 68-26    | R0200496-00 | Locking Flange Nut, M8        | 1   |
| 68-27    | R0209018-00 | Fixed Plate                   | 1   |
| 68-28    | R0200514-00 | Lock Nut, M10                 | 2   |
| 68-29    | R0208982-00 | Cup Head Bolts-Grade B, M8×20 | 1   |
| 68-30    | R0208298-00 | Pedal, Brake                  | 1   |
| 68-31    | R0208983-00 | Rotating Shaft                | 1   |
| 68-32    | R0208984-00 | Rotating Shaft                | 1   |

| ITEM NO. | PART NO.    | DESCRIPTION                  | QTY |
|----------|-------------|------------------------------|-----|
| 68-33    | R0208985-00 | Limit Block                  | 1   |
| 68-34    | R0208986-00 | Pedal, Parking               | 1   |
| 68-35    | R0208987-00 | Swing Arm, Parking           | 1   |
| 68-36    | R0200534-00 | Bolt, Hex With Washers M8×20 | 2   |
| 68-37    | R0200518-00 | Locking Nut, M6              | 1   |
| 68-38    | R0208988-00 | Mounting Plate               | 1   |
| 68-39    | R0208989-00 | Swing Arm, Parking           | 1   |
| 68-40    | R0208990-00 | Fixed Shaft                  | 1   |
| 68-41    | R0200501-00 | Bolt, Flange M10×25          | 3   |
| 68-42    | R0202077-00 | Brake Extension Spring       | 1   |



**greenworks<sup>®</sup>**

**Greenworks Tools  
PO Box 1238  
Mooreville, NC 28115**

**TOLL-FREE HELPLINE: 1-855-345-3934**